



9.0 SeismicCo

SEISMIC BRACKETS AND ANCHORING KITS

2340 W. PARKSIDE LANE

SUITE H-111

PHOENIX, AZ. 85027

PHONE: 623-806-0156

EMAIL: info@seismicco.com

Website: www.seismicco.com

ICC-ESR-4233

APPROVED SEISMIC BRACKETS

&

ANCHORING KITS



NEWS RELEASE

9.0 SeismicCo®

SEISMIC BRACKETS AND ANCHORING KITS

For Immediate Release

April 27, 2020

www.seismicco.com

Contact: Craig 623-806-0156

info@seismicco.com

9.0 SeismicCo Brackets and Anchoring Kits Earns ICC-ES Evaluation Report

ICC-ES ESR-#4233

9.0 SeismicCo Brackets and Anchoring Kits, manufactured by *9.0SeismicCo*, recently received an evaluation report (*ESR#4233*) from ICC Evaluation Service (ICC-ES), providing evidence that the *Steel Brackets and Anchoring Kits* meet code requirements. Building officials, architects, contractors, specifiers, designers and others utilize ICC-ES Evaluation Reports to provide a basis for using or approving *Steel Brackets and Anchoring Kits* in construction projects under the *International Building Code 2018, 2015 & 2012*.

ICC-ES thoroughly examined *9.0SeismicCo* product information, test reports, calculations, quality control methods and other factors to ensure the product is code-compliant.

After several years of designing and manufacturing anchor brackets and pre-design anchoring kits we are proud to say that we have received ICC recognition for our product line. Structural Engineers around the world now have an independent review and report that they can trust when selecting product for anchoring all types of equipment.

A nonprofit, limited liability company, ICC-ES is the United States' leading evaluation and testing service for innovative building and plumbing products, components and systems. ICC-ES [Evaluation Reports](#) (ESRs), [Building Product Listings](#) and [PMG Listings](#) provide evidence that products and systems meet requirements of codes and technical standards. Reports from both listing programs are now accepted in Canada. ICC-ES is a subsidiary of the [International Code Council](#)® (ICC®). For more information, please visit www.icc-es.org.

With the approval of ICC-ESR-4233, this now gives Structural Engineers several options in brackets for seismic anchoring of equipment.

Bracket thickness includes 1/4", 3/8" and 1/2" with brackets designed for attaching to the wall and floor.

We also have preapproved kits: Helm10-S for single door Helmer Refrigerators/Freezer

Helm10-D for Double door Helmer Refrigerators/Freezer

KBL1001 Leveling Leg Capture Anchoring

LRF1005 Lab Freezer Floor Anchoring

DRF1006 Domestic Refrigerator/Freezer Floor Anchoring

DRWF1004 Domestic Refrigerator/Freezer Wall & Floor Anchoring

For more information contact us at: info@seismicco.com



9.0 SeismicCo®



ICC-ESR-4233



DIVISION: 05 00 00—METALS
Section: 05 05 02—Metal Fastenings

REPORT HOLDER:

9.0 SEISMIC CO.

EVALUATION SUBJECT:

9.0 SEISMIC CO. BRACKETS AND ANCHORING KITS

1.0 EVALUATION SCOPE

Compliance with the following codes:

- 2018, 2015 and 2012 *International Building Code* (IBC)

For evaluation of compliance with codes adopted by the California Office of Statewide Health Planning and Development (OSHPD) and Division of State Architects (DSA), see [ESR-4233 CBC Supplement](#).

Property evaluated:

Structural

2.0 USES

9.0 Seismic Co. Brackets and Anchoring Kits described in this report are used for anchoring of nonstructural components (e.g. hospital equipment including: medical, special procedure room, lab, pharmacy, kitchen, office furniture, etc.) to resist seismic loads.

3.0 DESCRIPTION

3.1 General:

The 9.0 Seismic Co. Brackets described in this report consist of steel angles and steel bent plate (brackets) which are used to connect the nonstructural component (equipment) to the supporting wall or supporting concrete floor. The brackets are available in several thicknesses (1/4-, 3/8- and 1/2-inch thick), dimensions and for use in different applications. See Figure 1 of this report for different bracket configurations. Tables 1 through 5 indicate the bracket application, the bracket part numbers, bracket dimensions and load capacities. The brackets also come with predrilled holes used to connect the equipment to the supporting walls and floors. The brackets are fastened to the equipment and supporting cold-formed steel framed stud walls using screws described in Section 3.2.2 of this report and to supporting concrete floor using anchor bolts described in Section 3.2.3 of this report.

The 9.0 Seismic Co. Anchoring Kits consist of brackets and fasteners. The Anchoring Kits are used to anchor nonstructural component (equipment) to the supporting wall or supporting concrete floor. The Anchoring Kits brackets and fasteners included in the kits are described in Table 6 of this report.

3.2 Material:

3.2.1 Steel Angles and Bent Plate Brackets: Steel angle and bent plate brackets are made from ASTM A36 steel, having a minimum yield strength, F_y , of 36,000 psi (248 MPA) and a minimum tensile strength, F_u , of 58,000 psi (400 MPA).

3.2.2 Screws: The screws are Dril-Flex Self-Drilling Structural Fasteners complying with [ESR-3332](#); Model Nos. EAF816, EAF841, EAF846 (Type 6). The screws are 1/4-inch (6 mm) diameter, fine threaded screws with an indented hex washer head.

3.2.3 Anchors: Anchor bolts are Hilti Kwik Bolt TZ Carbon Steel complying with [ESR-1917](#). The 3/8-inch and 1/2-inch-diameter (9.5 mm and 12.7 mm) anchors may be installed in cracked and uncracked normal-weight and concrete-filled steel deck having a minimum specified compressive strength, f'_c , of 3,000 psi (20.7 MPa).

4.0 DESIGN AND INSTALLATION

4.1 Design:

4.1.1 General: The tabulated load values for the bracket connection capacity are for use with the Load Resistance Factor Design (LRFD) methodology. The seismic forces induced by the connected equipment must be determined in accordance with IBC Section 1613 and must not exceed the tabulated load values shown in Tables 1 through 6 of this report.

4.2 Installation:

Installation of the Brackets and Anchoring Kits must be in accordance with this report, the approved plans and the manufacturer's published installation instructions. In the event of a conflict between this report and the manufacturer's published installation instructions, the more restrictive requirement governs.

5.0 CONDITIONS OF USE

The 9.0 Seismic Co. Brackets and Anchoring Kits described in this report comply with, or are suitable alternatives to what is specified in, those codes listed in

Section 1.0 of this report, subject to the following conditions:

- 5.1 The brackets must be manufactured, identified and installed in accordance with this report and the manufacturer's published installation instructions. A copy of the instructions must be available at the jobsite at all times during installation.
- 5.2 The capacity of the connected equipment to resist the applied loads is outside the scope of this report and must be determined by registered design professional.

6.0 EVIDENCE SUBMITTED

- 6.1 Calculations to establish bracket connection capacity.
- 6.2 Quality control documentation.

7.0 IDENTIFICATION

- 7.1 The 9.0 Seismic Co. Brackets and Anchoring Kits described in this report must be stamped with the model number and the company name and the ICC-ES evaluation report number (ESR-4233).
- 7.2 The report holder's contact information is the following:

9.0 SEISMIC CO
2340 WEST PARKSIDE LANE SUITE H-111
PHOENIX, ARIZONA 85027
(623) 806-0156
www.seismicco.com
info@seismicco.com

TABLE 1—STANDARD FLOOR ¼-INCH THICK STEEL ANGLE BRACKETS DESIGN STRENGTH (LRFD) CAPACITY

Bracket Number	Bracket Dimensions ¹ (inches)			Bracket Predrilled Holes Quantity and Diameter (inches)		Bracket Fasteners Type and Quantity		Capacity (lb) LRFD							
	H	W	L	Side A	Side B	Quantity of No. 14 Screws Attached to Side A ² (equipment)	Quantity of 3/8-inch-diameter Anchor Bolt Attached to Side B ³ (concrete floor)	Side A (Equipment) ^{4,6}			Side B (Concrete Floor) ^{4,6}				
								Tension	Shear	Tension	Shear	Tension	Shear	Tension	Shear
33143A	3	3	3	2- ⁵ / ₁₆	1- ⁷ / ₁₆	2	1	420	1105	950	1105	950	1105	390	440
33144A	3	3	4	2- ⁵ / ₁₆	1- ⁷ / ₁₆	2	1	420	1206	950	1322	950	1322	390	440
33146A	3	3	6	4- ⁵ / ₁₆	2- ⁷ / ₁₆	4	2	840	2209	1275	2209	1275	2209	570	1100
33148A	3	3	8	5- ⁵ / ₁₆	3- ⁷ / ₁₆	5	3	1050	2945	1400	2945	1400	2945	650	1220
43143A	4	3	3	2- ⁵ / ₁₆	1- ⁷ / ₁₆	2	1	420	1105	950	1057	950	1057	390	440
43146A	4	3	6	4- ⁵ / ₁₆	2- ⁷ / ₁₆	4	2	840	2209	1275	2209	1275	2209	570	1057
63143A	6	3	3	4- ⁵ / ₁₆	1- ⁷ / ₁₆	4	1	347	1105	1105	347	1105	347	650	347

For SI: 1 inch= 25.4 mm; 1 lbf= 4.45 N.

¹See Figure 1 for bracket configuration.

²Self-drilling screws must comply with Section 3.2.2 of this report. Screws must be installed in accordance with ESR-3332.

³Anchor bolts must comply with Section 3.2.3 of this report. Concrete must comply with Section 3.3.2 of this report. Anchor bolts must have an effective embedment depth of 2 inches and be installed in accordance with ESR-1917. The minimum concrete edge distance must not be less than 3 inches.

⁴See Figure 2 for load orientation.

⁵Equipment steel frame must have minimum yield strength 33,000 psi and minimum tensile strength 45,000 psi. The connection of the screws to the equipment frame must be determined by registered design professional. The equipment steel frame is an integral part of the supported nonstructural component(equipment) used as a connection point of the bracket.

⁶Seismic forces exerted by connected equipment must not exceed tabulated design values and must be determined by registered design professional.

TABLE 2—STANDARD WALL 1/4-INCH THICK STEEL ANGLE BRACKETS DESIGN STRENGTH (LRFD) CONNECTION CAPACITY

Bracket Number	Bracket Dimensions ¹ (inches)			Bracket Predrilled Holes Quantity and Diameter (inches)		Bracket Fasteners Type and Quantity		Connection Capacity (lbf) LRFD			
	H	W	L	Side A	Side B	Quantity of No. 14 Screws Attached to Side A ² (supporting wall)	Quantity of No. 14 Screws Attached to Side B ² (equipment)	Side A (Supporting Wall) ³		Side B (Equipment) ³	
								Tension	Shear	Tension	Shear
36143A	3	6	3	2-5/16	2-5/16	2	2	420	312	284	1105
36143B	3	6	3	2-5/16	4-5/16	2	4	420	347	347	1105
36143C	3	6	3	4-5/16	4-5/16	4	4	840	347	347	1105
36144A	3	6	4	2-5/16	2-5/16	2	2	420	415	388	1206
36146A	3	6	6	4-5/16	8-5/16	4	8	840	694	694	2209

For SI: 1 inch= 25.4 mm; 1 lbf= 4.45 N.

¹See Figure 1 for bracket configuration.

²Self-drilling screws must comply with Section 3.2.2 of this report. Screws must be installed in accordance with ESR-3332.

³See Figure 2 for load orientation.

⁴Cold-formed steel studs must have a minimum yield strength of 33,000 psi and minimum tensile strength of 45,000 psi. The capacity of the studs to support the applied loads must be determined by registered design professional.

⁵Equipment steel frame must have minimum yield strength 33,000 psi and minimum tensile strength 45,000 psi. The connection of the screws to the equipment frame must be determined by registered design professional. The equipment steel frame is an integral part of the supported nonstructural component(equipment) used as a connection point of the bracket.

TABLE 3—STANDARD FLOOR 3/16-INCH THICK STEEL ANGLE BRACKETS DESIGN STRENGTH (LRFD) CAPACITY

Bracket Number	Bracket Dimensions ¹ (inches)		Bracket Predrilled Holes Quantity and Diameter (inches)		Bracket Fasteners Type and Quantity		Capacity (lbf) LRFD							
							Side A (Equipment) ⁴			Side B (Concrete Floor) ⁴				
	H	W	L	Side A	Side B	Quantity of No. 14 Screws Attached to Side A ² (equipment)	Quantity of 1/2-inch-diameter Anchor Bolt Attached to Side B ³ (concrete floor)	Screws Attach to Equipment Frame Having Minimum 0.048-inch-thick Steel ⁵	Tension	Shear	Anchor Bolts Attached to Minimum 4-inch-thick Concrete Floor	Tension	Shear	Anchor Bolts Attached to Top of Concrete Filled Steel Deck
33384A	3	3	4	3-5/16	1-9/16	3	1		630	1809	1000	1322	370	500
33386A	3	3	6	4-5/16	2-9/16	4	2		840	2412	1275	2552	670	1100
43384A	4	3	4	3-5/16	1-9/16	3	1		630	1809	1000	1322	370	500
43384B	4	3	4	4-5/16	1-9/16	4	1		840	2412	1000	1322	370	500
43386A	4	3	6	4-5/16	2-9/16	4	2		840	2412	1275	2552	670	1100
43388A	4	3	8	5-5/16	3-9/16	5	3		1050	3015	1400	3150	750	1240
63384A	6	3	4	3-5/16	1-9/16	3	1		630	1809	1000	947	370	500
63384B	6	3	4	4-5/16	1-9/16	4	1		840	2412	1000	1057	370	500
63388A	6	3	8	5-5/16	3-9/16	5	3		1050	3015	1400	3150	750	1240

For SI: 1 inch= 25.4 mm; 1 lbf= 4.45 N.

¹See Figure 1 for bracket configuration.

²Self-drilling screws must comply with Section 3.2.2 of this report. Screws must be installed in accordance with ESR-3332.

³Anchor bolts must comply with Section 3.2.3 of this report. Concrete must comply with Section 3.3.2 of this report. Anchor bolts must have an effective embedment depth of 2 inches and be installed in accordance with ESR-1917. The minimum edge distance must not be less than 3 inches.

⁴See Figure 2 for load orientation.

⁵Equipment steel frame must have minimum yield strength 33,000 psi and minimum tensile strength 45,000 psi. The connection of the screws to the equipment frame must be determined by registered design professional. The equipment steel frame is an integral part of the supported nonstructural component(equipment) used as a connection point of the bracket.

TABLE 4—STANDARD WALL 3/8-INCH THICK STEEL ANGLE BRACKETS DESIGN STRENGTH (LRFD) CONNECTION CAPACITY

Bracket Number	Bracket Dimensions ¹ (inches)			Bracket Predrilled Holes Quantity and Diameter (inches)		Bracket Fasteners Type and Quantity		Connection Capacity (lbf) LRFD			
	H	W	L	Side A	Side B	Quantity of No. 14 Screws Attached to Side A ² (supporting wall)	Quantity of No. 14 Screws Attached to Side B ² (equipment)	Side A (Supporting Wall) ³		Side B (Equipment) ³	
								Tension	Shear	Tension	Shear
36384A	3	6	4	3-5/16	3-5/16	3	3	630	947	630	1809
36384B	3	6	4	4-5/16	4-5/16	4	4	840	1057	840	2412
36388A	3	6	8	5-5/16	5-5/16	5	5	1050	1894	1050	3015
38384A	3	8	4	4-5/16	4-5/16	3	4	630	674	574	2412
38384B	3	8	4	4-5/16	4-5/16	4	4	840	722	722	2412
38388A	3	8	8	5-5/16	10-5/16	5	10	1050	1444	1423	6030
310386A	3	10	6	4-5/16	8-5/16	4	8	840	1216	1216	4824

For SI: 1 inch= 25.4 mm; 1 lbf= 4.45 N.

¹See Figure 1 for bracket configuration.

²Self-drilling screws must comply with Section 3.2.2 of this report. Screws must be installed in accordance with ESR-3332.

³See Figure 2 for load orientation.

⁴Cold-formed steel studs must have a minimum yield strength of 33,000 psi and minimum tensile strength of 45,000 psi. The capacity of the studs to support the applied loads must be determined by registered design professional.

⁵Equipment steel frame must have minimum yield strength 33,000 psi and minimum tensile strength 45,000 psi. The connection of the screws to the equipment frame must be determined by registered design professional. The equipment steel frame is an integral part of the supported nonstructural component(equipment) used as a connection point of the bracket.

TABLE 5—STANDARD FLOOR 1/2-INCH THICK STEEL ANGLE BRACKETS DESIGN STRENGTH (LRFD) CAPACITY

Bracket Number	Bracket Dimensions ¹ (inches)			Bracket Predrilled Holes Quantity and Diameter (inches)		Bracket Fasteners Type and Quantity		Capacity (lb _f) LRFD					
	H	W	L	Side A	Side B	Quantity of No. 14 Screws Attached to Side A ² (equipment)	Quantity of 1/2-inch-diameter Anchor Bolt Attached to Side B ³ (concrete floor)	Side A (Equipment) ⁴			Side B (Concrete Floor) ⁴		
								Tension	Shear	Tension	Shear	Tension	Shear
33124A	3	3	4	3-5/16	1-9/16	3	1	630	1809	1000	1322	370	500
33126A	3	3	6	5-5/16	2-9/16	5	2	1050	3015	1275	2552	670	1100
63124A	6	3	4	3-5/16	1-9/16	3	1	630	1809	1000	1322	370	500
63126A	6	3	6	5-5/16	2-9/16	5	2	1050	3015	1275	2552	670	1100
63128A	6	3	8	10-5/16	3-9/16	10	3	2100	6030	1400	3150	750	1240
83124A	8	3	4	6-5/16	1-9/16	6	1	1260	3618	1000	1296	370	500
83126A	8	3	6	8-5/16	2-9/16	8	2	840	2412	1275	1944	670	1100
83128A	8	3	8	10-5/16	3-9/16	10	3	2100	3015	1400	2592	750	1240

For SI: 1 inch= 25.4 mm; 1 lb_f= 4.45 N.

¹See Figure 1 for bracket configuration.

²Self-drilling screws must comply with Section 3.2.2 of this report. Screws must be installed in accordance with ESR-3332.

³Anchor bolts must comply with Section 3.2.3 of this report. Concrete must comply with Section 3.2 of this report. Anchor bolts must have an effective embedment depth of 2 inches and be installed in accordance with ESR-1917. The minimum concrete edge distance must not be less than 3 inches.

⁴See Figure 2 for load orientation.

⁵Equipment steel frame must have minimum yield strength 33,000 psi and minimum tensile strength 45,000 psi. The connection of the screws to the equipment frame must be determined by registered design professional. The equipment steel frame is an integral part of the supported nonstructural component(equipment) used as a connection point of the bracket.

TABLE 6—ANCHORING KITS CONNECTION DESIGN STRENGTH (LRFD)

KIT No.	NAME OF KIT	KIT COMPONENTS	Bracket Attachment to Equipment			Bottom Brackets Attachment to Concrete Floor				
			Quantity of No. of 14 Screws Per Bracket Connecting the Top of Equipment ⁵		Quantity of No. 14 Screws per Bracket Connecting the Bottom of the Equipment ⁵	Quantity and diameter of Anchor Bolt per Bracket Used to connect bracket to concrete floor ⁷	Bottom Brackets Connection Capacity (LRFD) to Concrete Floor (lbf)		Over Metal Deck	
			Bracket Attached to Supporting Wall	Bracket Attached to Equipment			Over 4" Conc	Tension	Shear	Tension
DRF1006	Domestic Refrigerator Floor Anchorage Kit	(4) No. 33144A brackets (bottom) (4) 3/8-inch by 3 3/4-inch anchor bolts (8) No. 14 by 2-inch-long screws ¹	N/A	N/A	2	(1) 3/8-inch	1900 ^{8,9}	4824 ^{8,10}	780 ^{8,9}	1760 ^{8,10}
DRWF1004	Domestic Refrigerator Wall & Floor Anchorage Kit	(2) No. 33144A brackets (bottom) (2) No. 36144A brackets (top) (2) 3/8-inch by 3 3/4-inch anchor bolts (4) No. 14 by 2-inch long screws (8) No. 14 by 1-inch-long screws ¹	2	2	2	(1) 3/8-inch	950 ^{8,9}	2644 ^{8,10}	390 ^{8,9}	880 ^{8,10}
HELM10-S	Helmer Scientific Refrigerator-Freezer Floor Anchorage Kit - 1 Door Kit	(2) 9.0 Seismic Co Front Bracket Assemblies (2) 9.0 Seismic Co Back Bracket Assemblies (8) 1/2-inch by 3 3/4-inch long anchor bolts (16) No. 14 by 1 1/2-inch-long (4) 1/4-inch by 1 1/4-inch-long A307 bolts with washer, lock washer and nuts ²	N/A	N/A	4	(2) 1/2-inch	1728 ^{9,11}	1024 ^{10,11}	1728 ^{9,11}	1024 ^{10,11}

TABLE 6—ANCHORING KITS CONNECTION DESIGN STRENGTH (LRFD) (Continued)

HELM10-D	Helmer Scientific Refrigerator-Freezer Floor Anchorage Kit – 2 Door Kit	(3) 9.0 Seismic Co Front Bracket Assemblies (3) 9.0 Seismic Co Back Bracket Assemblies (12) 1/2-inch by 3/4-inch long anchor bolts (24) No. 14 by 1 1/2-inch-long (6) 1/4-inch by 1 1/4-inch long A307 bolts with washer, lock washer and nuts ²	N/A	N/A	4	(2) 1/2 -inch	2592 ^{9,11}	1536 ^{10,11}	2592 ^{9,11}	1536 ^{10,11}
KBL1001	Leveling Leg Capture Anchorage Kit	(4) LFB55 Brackets (8) 3/8-inch by 3 3/4-inch anchor bolts ³	N/A	N/A	N/A ⁶	(2) 3/8-inch	1420 ^{6,9,11}	528 ^{6,10,11}	1420 ^{6,9,11}	528 ^{6,10,11}
LRF1005	Lab Freezer Floor Anchorage Kit	(4) L 3-inch-by-8-inch-by 1/2-inch-thick Brackets (4) 3/8-inch by 3 3/4-inch-long anchor bolts (12) No. 14 by 2-inch-long Screws ⁴	N/A	N/A	3	(1) 3/8-inch	2000 ^{9,11}	4800 ^{10,11}	740 ^{9,11}	2000 ^{10,11}

For SI: 1 inch= 25.4 mm; 1 lbf= 4.45 N.

¹Bracket must comply with Tables 1 and 2, applicable.

²Front and rear bracket must comply with Figure 3 of this report.

³Bracket No. LFB55 must comply with Figure 4 of this report. Bracket is made from ASTM A36 steel and is 0.25-inch-thick.

⁴Bracket L3x8x1/2 must comply with Figure 5 of this report. Bracket is made from ASTM A36 steel and is 0.5-inch-thick.

⁵Self-drilling screws must comply with Section 3.2.2 of this report. Screws must be installed in accordance with ESR-3332.

⁶Brackets secure equipment by engaging with equipment's leveling screws (feet). Brackets must be installed in an alternating orientation to leveling screws to resist shear forces. Capacity of equipment leveling screws to resist applied forces outside scope of this report and must be established by registered design professional.

⁷Anchor bolts must comply with Section 3.2.3 of this report. Concrete must comply with Section 3.3.2 of this report. Anchor bolts must have an effective embedment depth of 2 inches and be installed in accordance with ESR-1917. The minimum concrete edge distance must not be less than 3 inches.

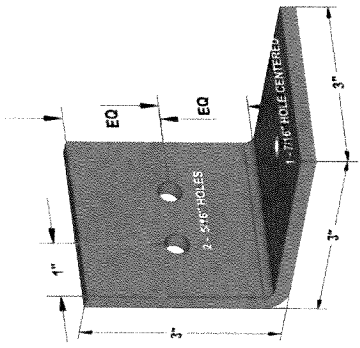
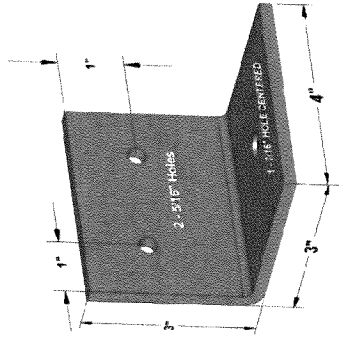
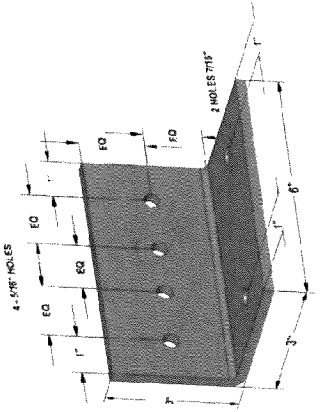
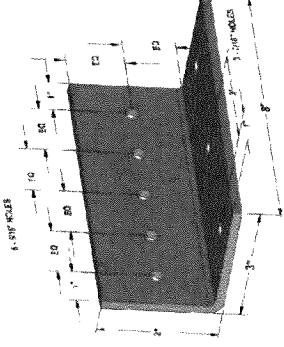
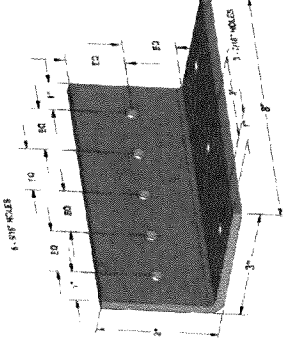
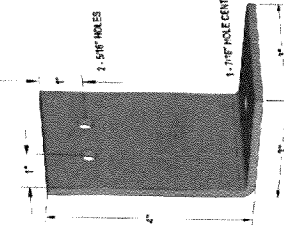
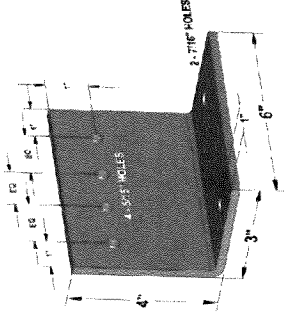
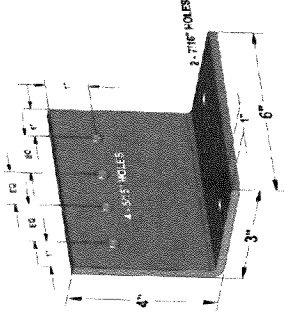
⁸Tabulated design values are based on capacity of bottom brackets anchored to concrete floor. Bracket capacity to connected equipment and/or supporting wall framing must not exceed the tabulated values in Tables 1 and 2 of this report, as applicable.

⁹Tension capacity is based on half the total quantity of bottom brackets resisting equipment overturning forces. Tension forces resulting from equipment resisting overturning forces must not exceed the tabulated values.

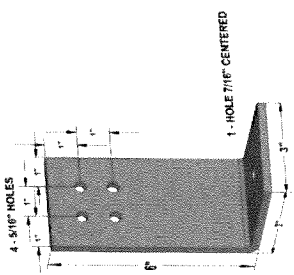
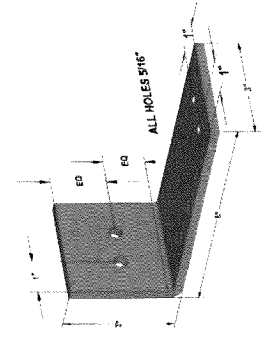
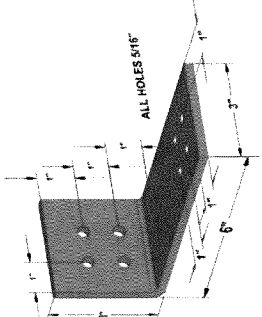
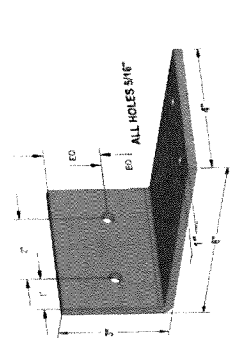
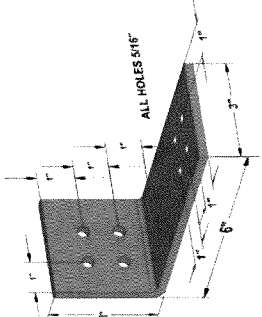
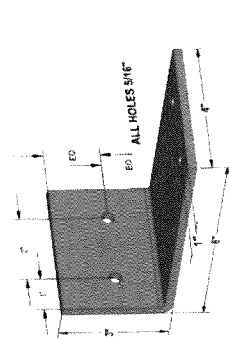
¹⁰Shear capacity is based on total number of brackets resisting shear forces exerted by the equipment. Shear forces exerted by the equipment must not exceed the tabulated values.

¹¹Tabulated design values are based on capacity of bottom brackets anchored to concrete floor. Bracket capacity to connected equipment must be determined by registered design professional and must not exceed the tabulated design values.

9.0 SeismicCo Brackets

1/4" Brackets		Floor Brackets	
 <p>#331</p>	 <p>#33</p>	 <p>#33</p>	 <p>#331</p>
 <p>#331</p>	 <p>#331</p>	 <p>#331</p>	 <p>#331</p>

9.0 SeismicCo Brackets

1/4" Brackets		Floor & Wall Brackets	
 <p>4 - 5/16" HOLES 1 - HOLE 7 1/8" CENTERED</p>	<p>Kwik Flex #EAF-3 I KBTZ 3/8" x 3-3/4"</p>	 <p>ALL HOLES 5/16"</p>	<p>II Kwik Flex #EAF-846 II Kwik Flex #EAF-816</p>
 <p>ALL HOLES 5/16"</p>	<p>II Kwik Flex #EAF- II Kwik Flex #EAF-</p>	 <p>ALL HOLES 5/16"</p>	<p>II Kwik Flex #EAF-846 II Kwik Flex #EAF-816</p>
 <p>ALL HOLES 5/16"</p>	<p>I Kwik Flex #EAF-84 I Kwik Flex #EAF-81</p>	 <p>ALL HOLES 5/16"</p>	<p>II Kwik Flex #EAF-846 II Kwik Flex #EAF-816</p>

9.0 SeismicCo Brackets

Floor Brackets

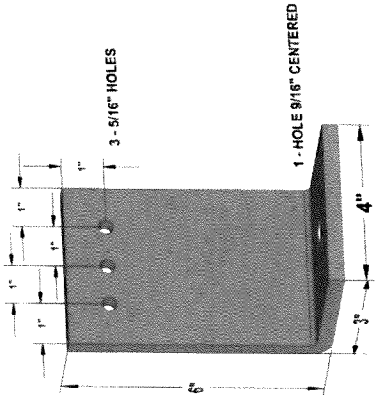
3/8" Brackets

<p>#33384A</p>	<p>33386A</p>	<p>43384A</p>
----------------	---------------	---------------

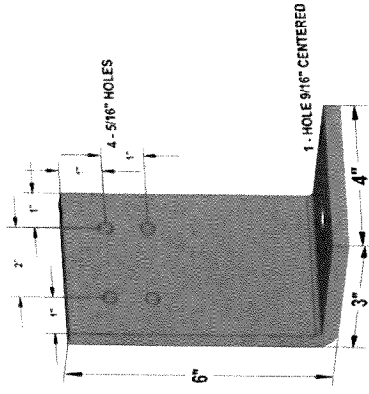
<p>43384B</p>	<p>43386A</p>	<p>43388A</p>
---------------	---------------	---------------

9.0 SeismicCo Brackets

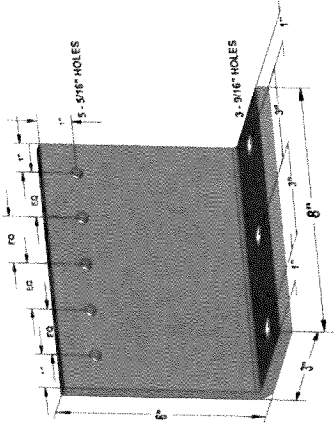
3/8" Brackets



63384A



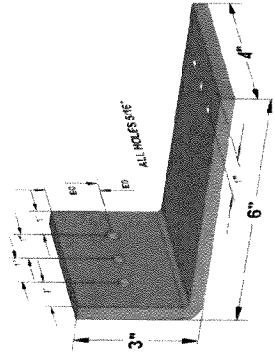
63384B



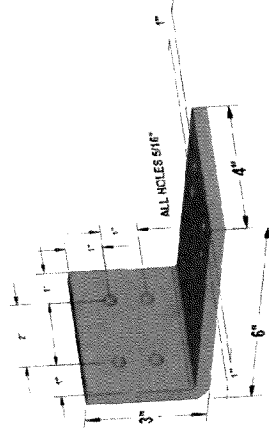
63388A

Floor Brackets

3/8" Brackets

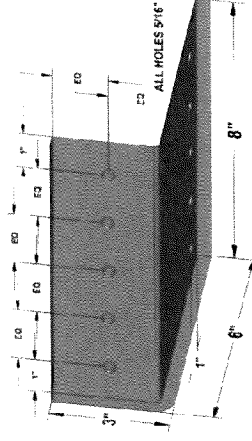


36384A



36384B

Wall Brackets

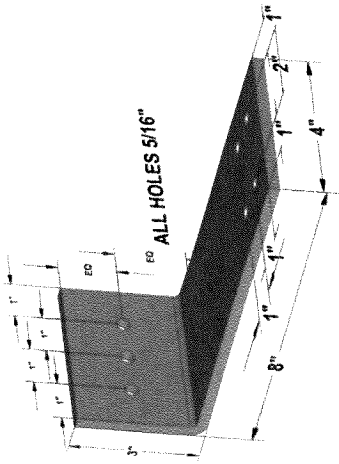


36388A

Floor Brackets

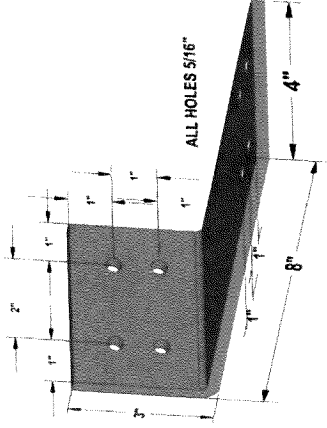
9.0 SeismicCo Brackets

3/8" Brackets

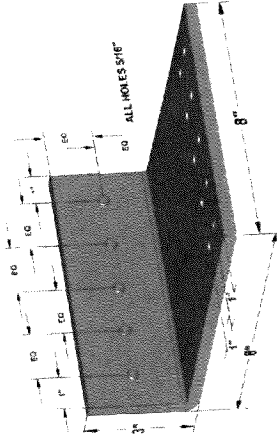


38384A

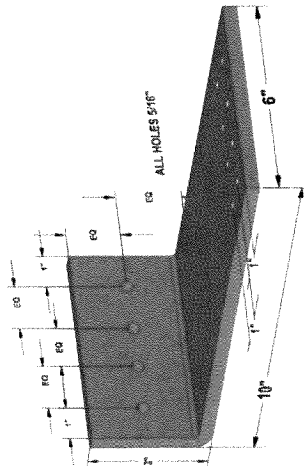
Wall Brackets



38384B



38388A

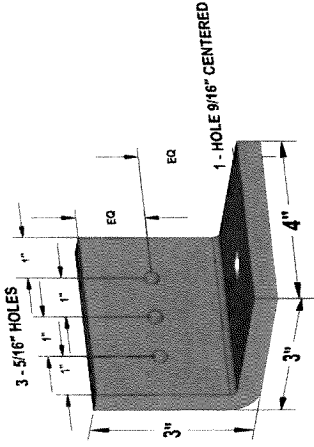


310386A

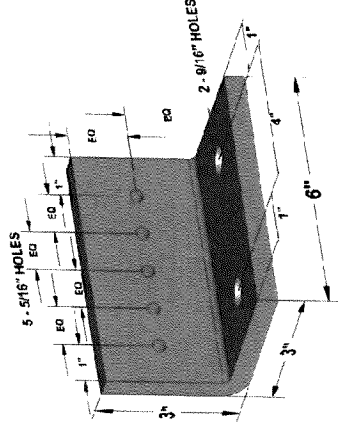
9.0 SeismicCo Brackets

1/2" Brackets

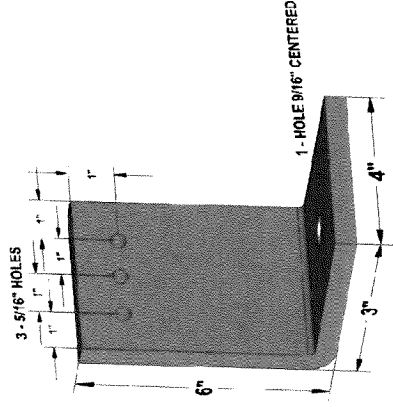
Floor Brackets



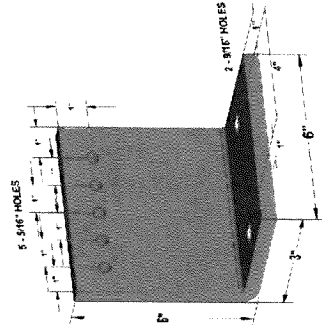
#33124A



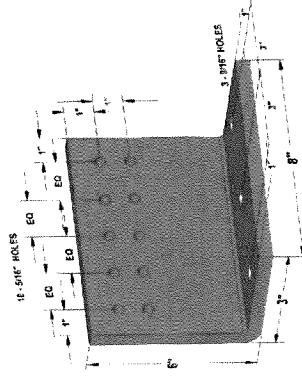
#33126A



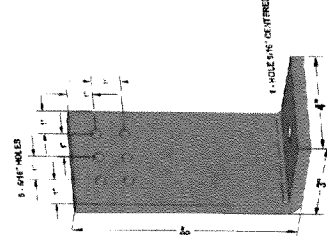
#63124A



63126A



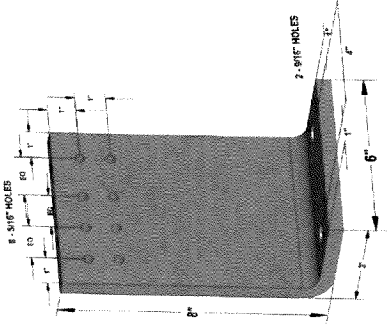
63128A



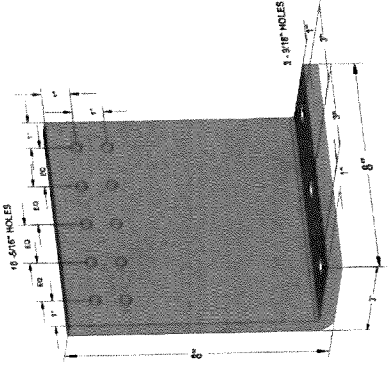
83124A

9.0 SeismicCo Brackets

1/2" Brackets **Floor Brackets**



83126A



83128A

FIGURE 1—STEEL BRACKET CONFIGURATIONS

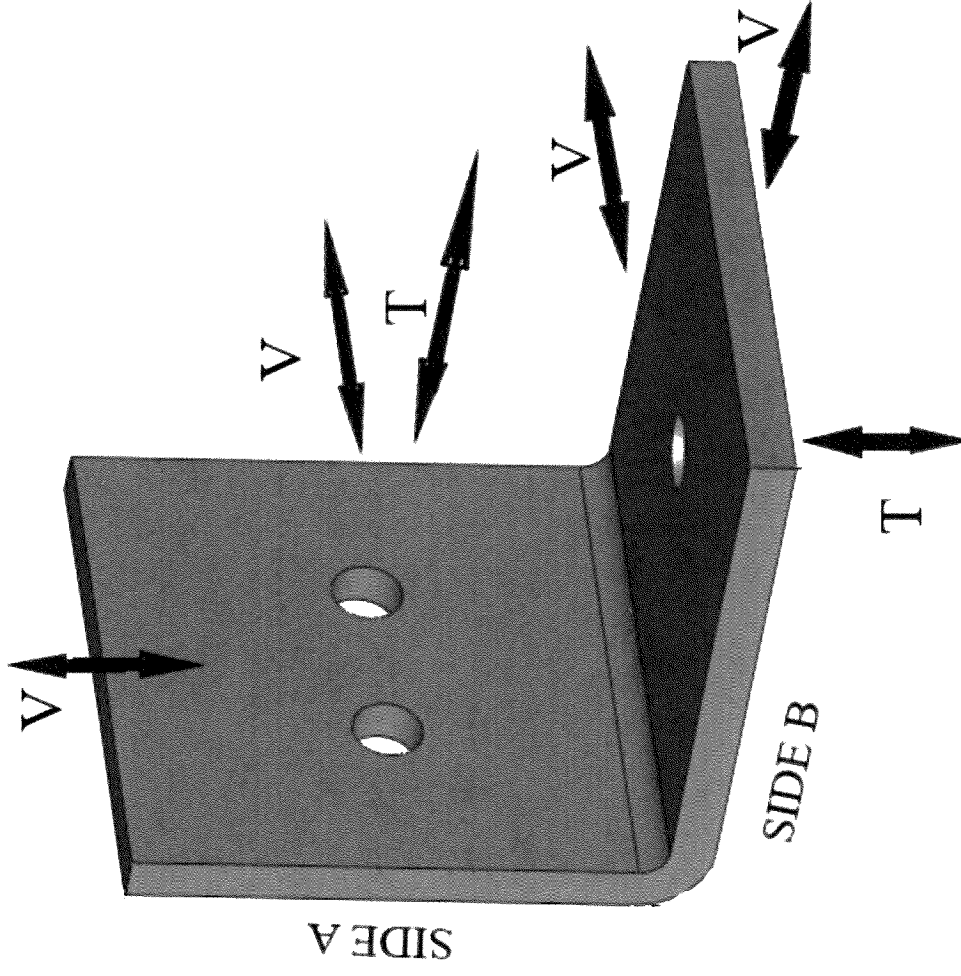


FIGURE 2—STEEL BRACKET LOAD ORIENTATION

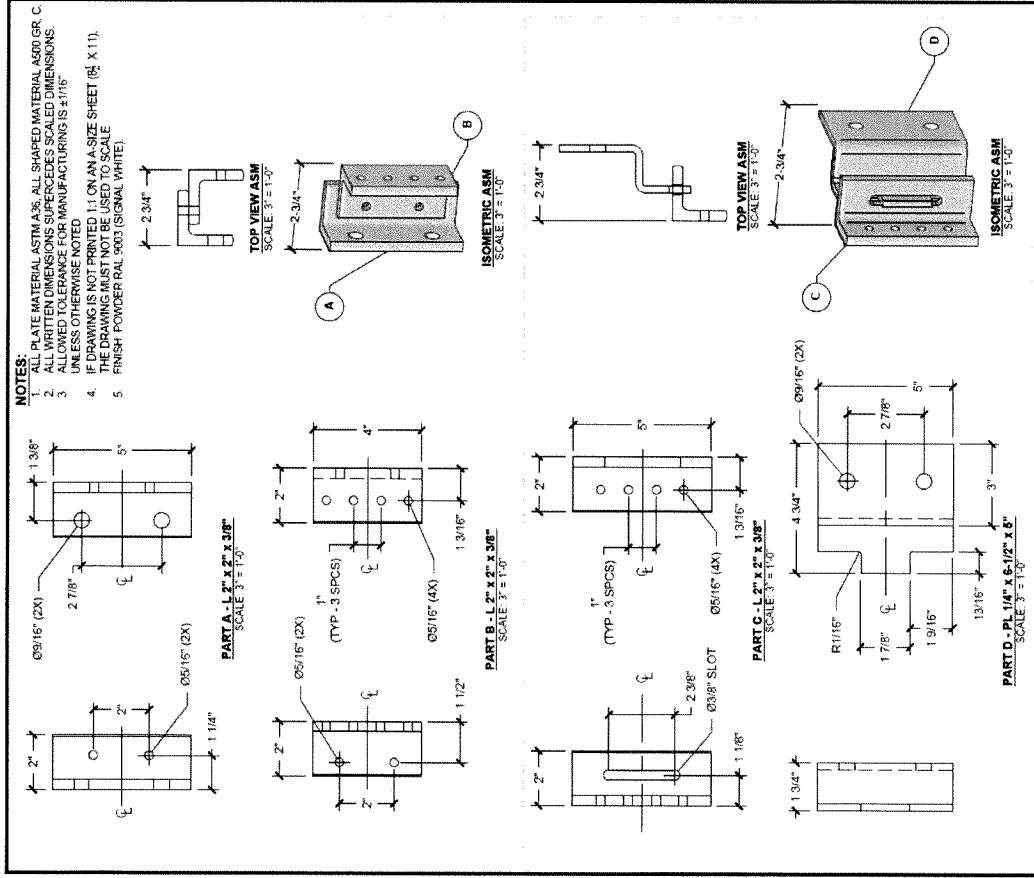


FIGURE 3—FRONT BRACKET (PARTS "A" AND "B") AND REAR BRACKET (PARTS "C" AND "D") FOR ANCHORING KIT NO. HELM10-S AND HELM10-D

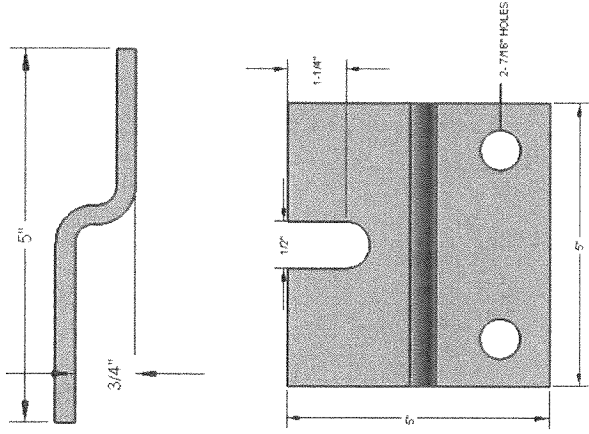


FIGURE 4—BRACKET NO. LFB55 FOR ANCHORING KIT NO. KBL1001

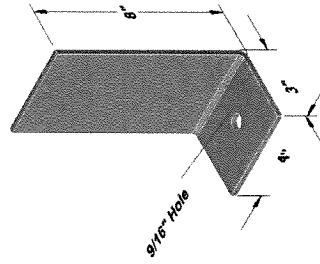


FIGURE 5—L3X8X1/2 BRACKET FOR ANCHORING KIT NO. LRF1005

DIVISION: 05 00 00—METALS
Section: 05 05 02—Metal Fastenings

REPORT HOLDER:

9.0 SEISMIC CO.

EVALUATION SUBJECT:

9.0 SEISMIC CO. BRACKETS AND ANCHORING KITS

1.0 REPORT PURPOSE AND SCOPE

Purpose:

The purpose of this evaluation report supplement is to indicate that the 9.0 Seismic Co. Brackets and Anchoring Kits, recognized in ICC-ES evaluation report ESR-4233, have also been evaluated for compliance with the code noted below.

Applicable code edition:

- 2019 California Building Code (CBC)

For evaluation of applicable chapters adopted by the California Office of Statewide Health Planning and Development (OSHPD) and Division of State Architect (DSA), see Sections 2.1 and 2.2 below.

2.0 CONCLUSIONS

The 9.0 Seismic Co. Brackets and Anchoring Kits, described in Sections 2.0 through 7.0 of the evaluation report ESR-4233, comply with CBC Chapters 19 and 22, provided the design and installation are in accordance with the 2018 *International Building Code*® (IBC) provisions noted in the evaluation report and the additional requirements of CBC Chapter 16, and 17, as applicable.

2.1 OSHPD:

The 9.0 Seismic Co. Brackets and Anchoring Kits, described in Sections 2.0 through 7.0 of the evaluation report ESR-4233, comply with the CBC amended Sections in Chapter 16, 17, 19 and 22, and Chapter 16A, 17A, 19A and 22A, provided the design and installation are in accordance with the 2018 *International Building Code*® (IBC) provisions noted in the evaluation report and the additional requirements in Sections 2.1.1 of this supplement:

2.1.1 Conditions of Use:

1. Loads applied to the brackets and anchoring kits shall be determined by registered design professional and shall comply with applicable loads from CBC amended sections in Chapter 16 and Chapter 16A.
2. Importance factor $I_p = 1.5$, in accordance with ASCE 7-16 Section 13.1.3, shall be used in determining the applicable seismic loads.
3. OSHPD requirements per Chapter 17 [OSHPD 1R, 2 and 5] and Chapter 17A [OSHPD 1 and 4] regarding special inspection of post-installed anchors complying with ICC-ES [ESR-1917](#) are outside the scope of this supplement.

2.1.2 Verification Test Requirements: Testing for seismic resistance of nonstructural components anchored with the 9.0 Seismic Co. Brackets and Anchoring Kits must be in accordance with CBC Sections 1705.13.2 and 1705.13.3 [OSHPD 1R, 2 & 5] and CBC Sections 1705A.13.2 and 1705A.13.3 [OSHPD 1 & 4], as applicable.

2.1.3 Special Inspection Requirements: Periodic special inspection is required in accordance with CBC Sections 1705.1 and 1705.2 [OSHPD 1R, 2 and 5], or Section 1705A.1 and 1705A.2 [OSHPD 1 and 4], as applicable.

2.2 DSA:

The 9.0 Seismic Co. Brackets and Anchoring Kits, described in Sections 2.0 through 7.0 of the evaluation report ESR-4233, comply with the CBC amended Sections in Chapter 16, 19 and 22, and Chapter 16A, 17A, 19A and 22A, provided the design and installation are in accordance with the 2018 International Building Code® (IBC) provisions noted in the evaluation report and the additional requirements in Sections 2.2.1 of this supplement:

2.2.1 Conditions of Use:

1. Loads applied to the brackets and anchoring kits shall be determined by registered design professional and shall comply with applicable loads from CBC amended sections in Chapter 16 and Chapter 16A.
2. Importance factor $I_p = 1.5$, in accordance with ASCE 7-16 Section 13.1.3, shall be used in determining the applicable seismic loads.
3. DSA requirements per Chapter 17A [DSA-SS & DSA-SS/CC] regarding special inspection of post-installed anchors complying with ICC-ES report [ESR-1917](#) are outside the scope of this supplement.

2.2.2 Verification Test Requirements: Testing for seismic resistance of nonstructural components anchored with the 9.0 Seismic Co. Brackets and Anchoring Kits must be in accordance with CBC Sections 1705A.13.2 and 1705A.13.3 [DSA-SS & DSA-SS/CC], as applicable.

2.2.3 Special Inspection Requirements: Periodic special inspection is required, in accordance with Section 1705A.1.1 and Table 1705A.3 [DSA-SS & DSA-SS/CC].

This supplement expires concurrently with the evaluation report, issued April 2020 and revised November 2020.



9.0 SeismicCo®

APPROVED BRACKETS

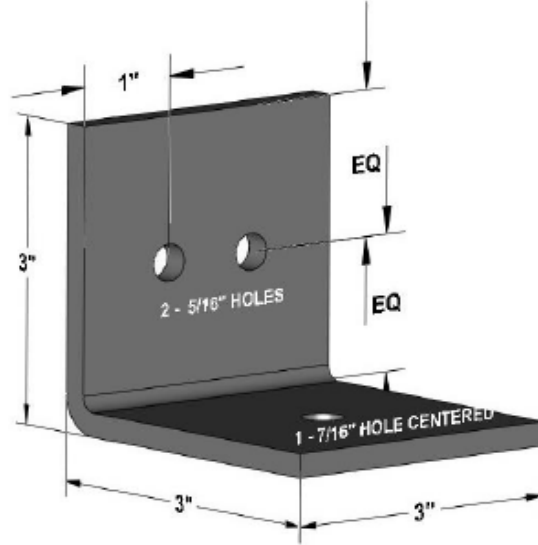




9.0 SeismicCo®

1/4"
FLOOR

9.0 SeismicCo



#33143A

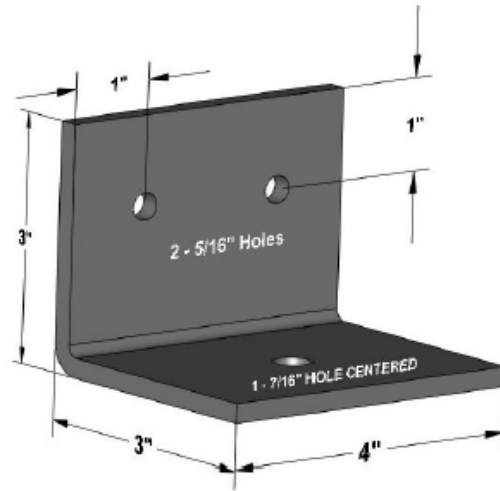
2 -Hilti Kwik Flex #EAF-816

1 - Hilti KBTZ 3/8" x 3-3/4"

Bracket #33143A

Bracket Size				Bracket Holes		Bracket Attachment			
						Screws/Anchors Being Used			
H	W	Thick	Length	Side A	Side B	Side A	Side B		
3"	3"	1/4"	3"	2-5/16"	1-7/16"	2-#14	1-3/8" Hilti		
Capacity (lbs) LRFD									
Screws (into min.0.048" Thickness)			Anchors		Over 4" Concrete		Conc Over Metal Deck		
Side A	Tension		Shear	Side B	Tension		Shear	Tension	Shear
Equip	420		1206	Conc	950		1322	390	440

9.0 SeismicCo

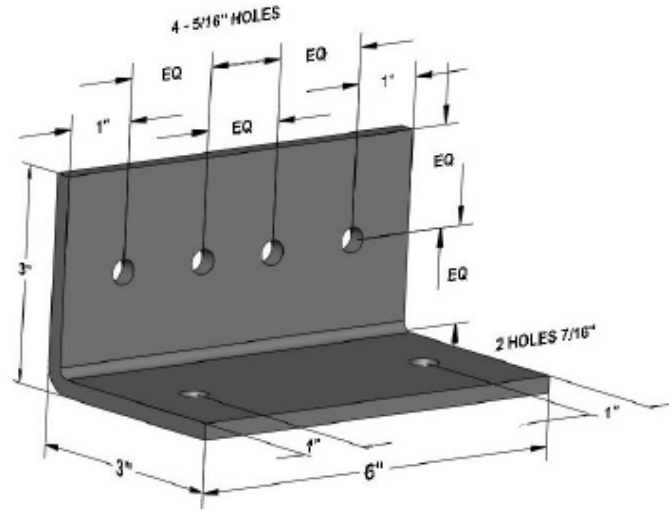


#33144A **2 -Hilti Kwik Flex #EAF-816**
1 - Hilti KBTZ 3/8" x 3-3/4"

Bracket #33144A

Bracket Size				Bracket Holes		Bracket Attachment			
						Screws/Anchors Being Used			
H	W	Thick	Length	Side A	Side B	Side A	Side B		
3"	3"	1/4"	4"	2-5/16"	1-7/16"	2-#14	1-3/8" Hilti		
Capacity (lbs) LRFD									
Screws (into min.0.048" Thickness)			Anchors		Over 4" Concrete		Conc Over Metal Deck		
Side A	Tension		Shear	Side B	Tension		Shear	Tension	Shear
Equip	420		1206	Conc	950		1322	390	440

9.0 SeismicCo



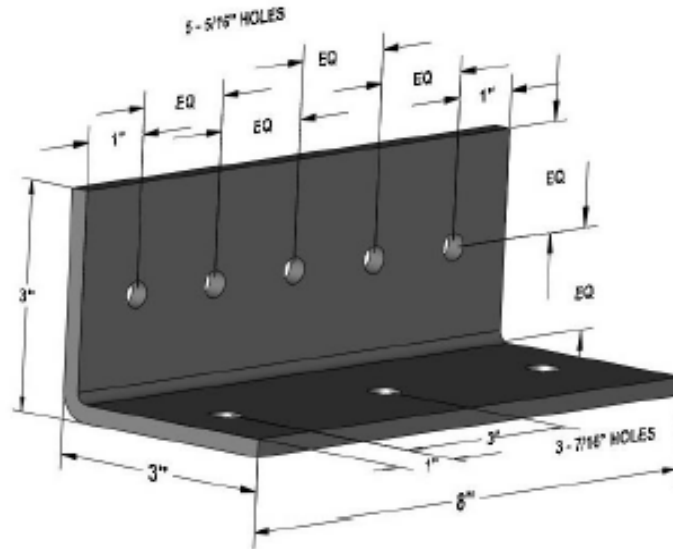
#33146A

**4 -Hilti Kwik Flex #EAF-816
2 - Hilti KBTZ 3/8" x 3-3/4"**

Bracket #33146A

Bracket Size				Bracket Holes		Bracket Attachment			
						Screws/Anchors Being Used			
H	W	Thick	Length	Side A	Side B	Side A	Side B		
3"	3"	1/4"	6Length	4-5/16"	2-7/16"	4-#14	2-3/8" Hilti		
Capacity (lbs) LRFD									
Screws (into min.0.048" Thickness)			Anchors		Over 4" Concrete		Conc Over Metal Deck		
Side A	Tension		Shear	Side B	Tension		Shear	Tension	Shear
Equip	840		2412	Conc	1275		2552	570	1100

9.0 SeismicCo



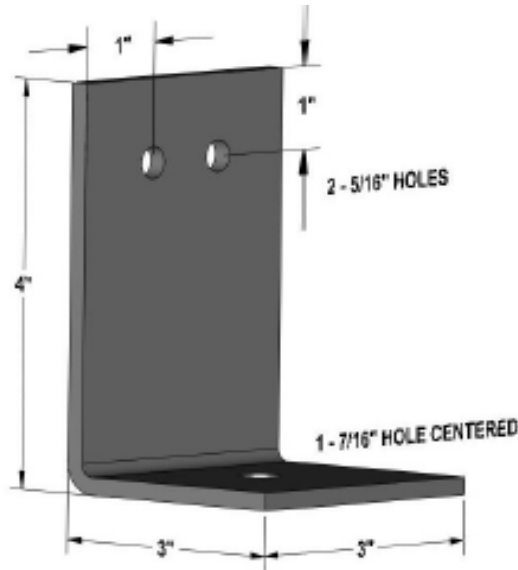
#33148A

**5 - Hilti Kwik Flex #EAF-816
3 - Hilti KBTZ 3/8" x 3-3/4"**

Bracket #33148A

Bracket Size				Bracket Holes		Bracket Attachment		
						Screws/Anchors Being Used		
H	W	Thick	Length	Side A	Side B	Side A	Side B	
3"	3"	1/4"	8"	5-5/16"	3-7/16"	5-#14	3-3/8" Hilti	
Capacity (lbs) LRFD								
Screws (into min.0.048" Thickness)			Anchors		Over 4" Concrete		Conc Over Metal Deck	
Side A	Tension		Shear	Side B	Tension	Shear	Tension	Shear
Equip	1050		3015	Conc	1400	3130	650	1220

9.0 SeismicCo



43143A

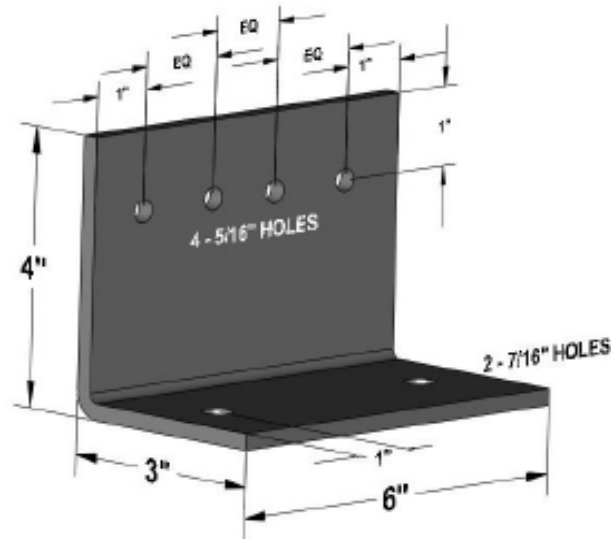
2-Hilti Kwik Flex #EAF-816

1 - Hilti KBTZ 3/8" x 3-3/4"

Bracket #43143A

Bracket Size				Bracket Holes		Bracket Attachment			
						Screws/Anchors Being Used			
H	W	Thick	Length	Side A	Side B	Side A	Side B		
4"	3"	1/4"	3"	2-5/16"	1-7/16"	2-#14	1-3/8" Hilti		
Capacity (lbs) LRFD									
Screws (into min.0.048" Thickness)			Anchors		Over 4" Concrete		Conc Over Metal Deck		
Side A	Tension		Shear	Side B	Tension		Shear	Tension	Shear
Equip	420		1206	Conc	950		1322	390	440

9.0 SeismicCo



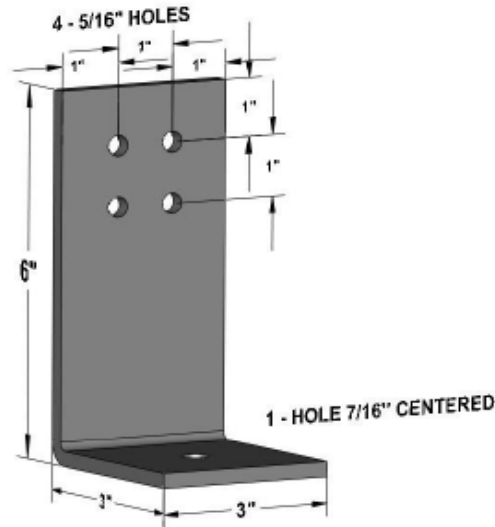
43146A

**4 - Hilti Kwik Flex #EAF-816
2 - Hilti KBTZ 3/8" x 3-3/4"**

Bracket #43146A

Bracket Size				Bracket Holes		Bracket Attachment		
						Screws/Anchors Being Used		
H	W	Thick	Length	Side A	Side B	Side A	Side B	
4"	3"	1/4"	6"	4-5/16"	2-7/16"	4-#14	2-3/8" Hilti	
Capacity (lbs) LRFD								
Screws (into min.0.048" Thickness)			Anchors		Over 4" Concrete		Conc Over Metal Deck	
Side A	Tension		Shear	Side B	Tension	Shear	Tension	Shear
Equip	840		2412	Conc	1275	2552	570	1100

9.0 SeismicCo



63143A

**4-Hilti Kwik Flex #EAF-816
1 - Hilti KBTZ 3/8" x 3-3/4"**

Bracket #63143A

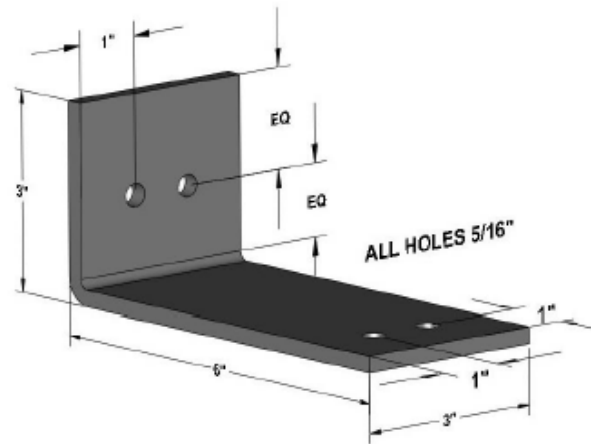
Bracket Size				Bracket Holes		Bracket Attachment			
						Screws/Anchors Being Used			
H	W	Thick	Length	Side A	Side B	Side A	Side B		
6	3"	1/4"	3"	4-5/16"	1-7/16"	4-#14	1-3/8" Hilti		
Capacity (lbs) LRFD									
Screws (into min.0.048" Thickness)			Anchors		Over 4" Concrete		Conc Over Metal Deck		
Side A	Tension		Shear	Side B	Tension		Shear	Tension	Shear
Equip	840		2412	Conc	1400		3130	650	1220



9.0 SeismicCo®

**1/4"
WALL**

9.0 SeismicCo



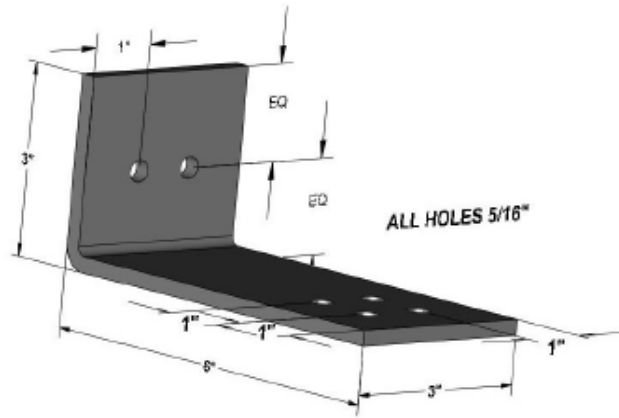
36143A

**2-Hilti Kwik Flex #EAF-846
2-Hilti Kwik Flex #EAF-816**

Bracket #36143A

Bracket Size				Bracket Holes		Bracket Attachment		
						Screws/Anchors Being Used		
H	W	Thick	Length	Side A	Side B	Side A	Side B	
3"	6	1/4"	3"	2-5/16"	2-5/16"	2-#14	2-#14	
Capacity (lbs) LRFD								
Screws (into min.0.048" Thickness)								
Side A	Tension		Shear	Side B	Tension		Shear	
Wall	420		1206	Equip	420		1206	

9.0 SeismicCo

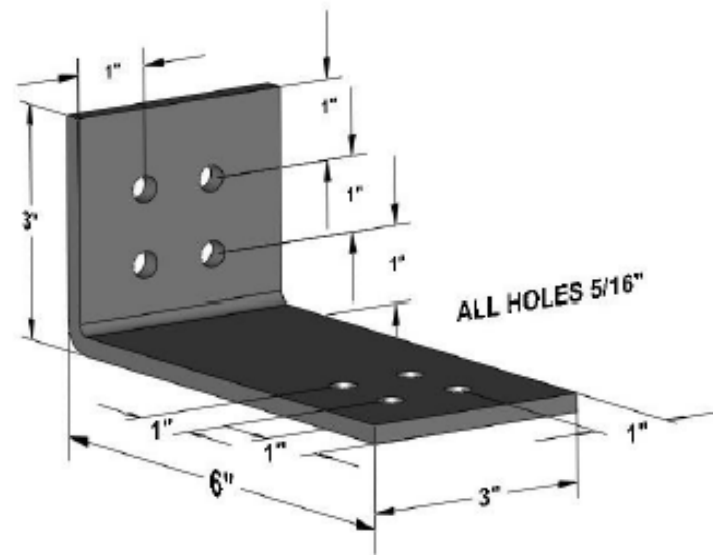


36143B **2-Hilti Kwik Flex #EAF-846**
4-Hilti Kwik Flex #EAF-816

Bracket #36143B

Bracket Size				Bracket Holes		Bracket Attachment		
						Screws/Anchors Being Used		
H	W	Thick	Length	Side A	Side B	Side A	Side B	
3"	3"	1/4"	3"	2-5/16"	4-5/16"	2-#14	4-#14	
Capacity (lbs) LRFD								
Screws (into min.0.048" Thickness)								
Side A	Tension	Shear	Side B	Tension	Shear			
Wall	420	1206	Equip	840	2412			

9.0 SeismicCo



36143C

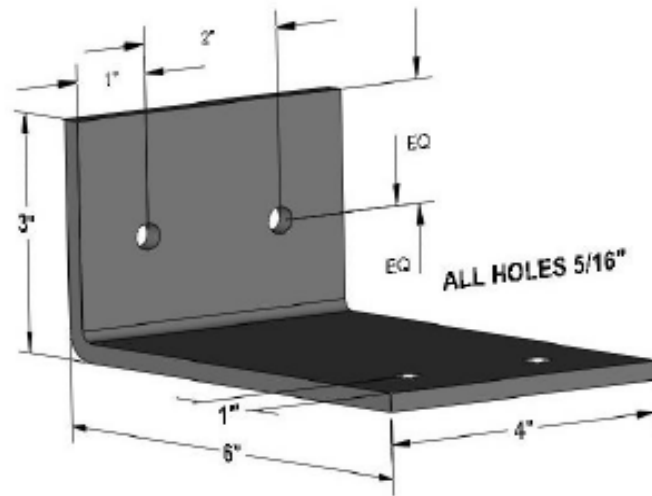
4-Hilti Kwik Flex #EAF-846

4-Hilti Kwik Flex #EAF-816

Bracket #36143C

Bracket Size				Bracket Holes		Bracket Attachment			
						Screws/Anchors Being Used			
H	W	Thick	Length	Side A	Side B	Side A	Side B		
3"	6"	1/4"	3"	4-5/16"	4-5/16"	4-#14	4-#14		
Capacity (lbs) LRFD									
Screws (into min.0.048" Thickness)									
Side A	Tension	Shear	Side B	Tension	Shear				
Wall	840	2412	Equip	840	2412				

9.0 SeismicCo



36144A

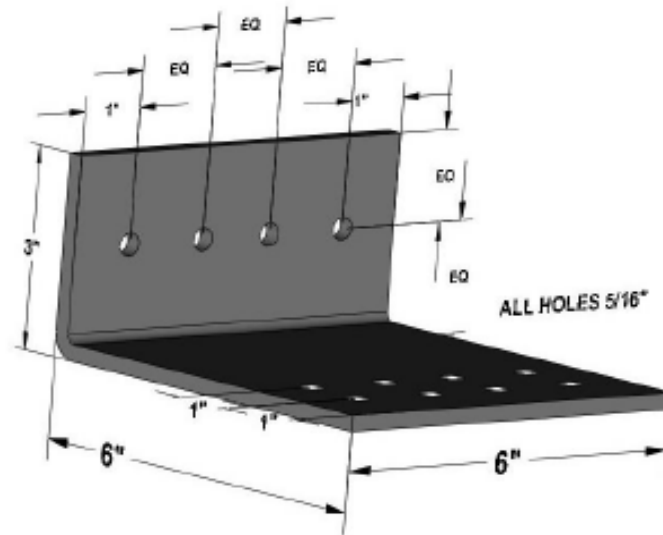
2-Hilti Kwik Flex #EAF-846

2-Hilti Kwik Flex #EAF-816

Bracket #36144A

Bracket Size				Bracket Holes		Bracket Attachment		
						Screws/Anchors Being Used		
H	W	Thick	Length	Side A	Side B	Side A	Side B	
3"	6"	1/4"	4"	2-5/16"	2-5/16"	2-#14	2-#14	
Capacity (lbs) LRFD								
Screws (into min.0.048" Thickness)								
Side A	Tension	Shear	Side B	Tension	Shear			
Wall	420	1206	Equip	420	1206			

9.0 SeismicCo



36146A

4-Hilti Kwik Flex #EAF-846

8-Hilti Kwik Flex #EAF-816

Bracket #36146A

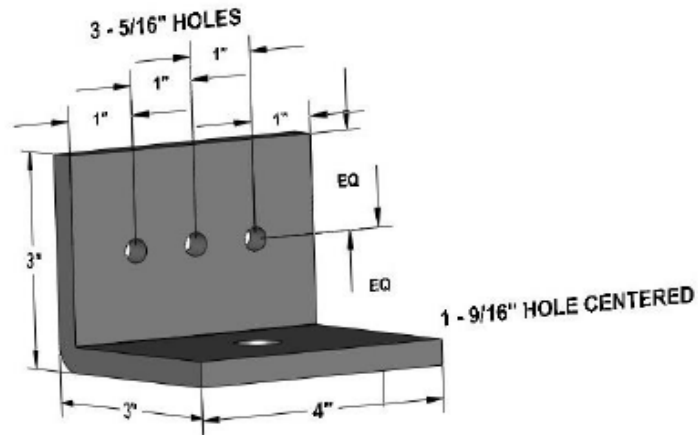
Bracket Size				Bracket Holes		Bracket Attachment		
						Screws/Anchors Being Used		
H	W	Thick	Length	Side A	Side B	Side A	Side B	
3"	6"	1/4"	6"	4-5/16"	8-5/16"	4-#14	8-#14	
Capacity (lbs) LRFD								
Screws (into min.0.048" Thickness)								
Side A	Tension	Shear	Side B	Tension	Shear			
Wall	840	2412	Equip	1680	4824			



9.0 SeismicCo®

**3/8"
FLOOR**

9.0 SeismicCo



#33384A

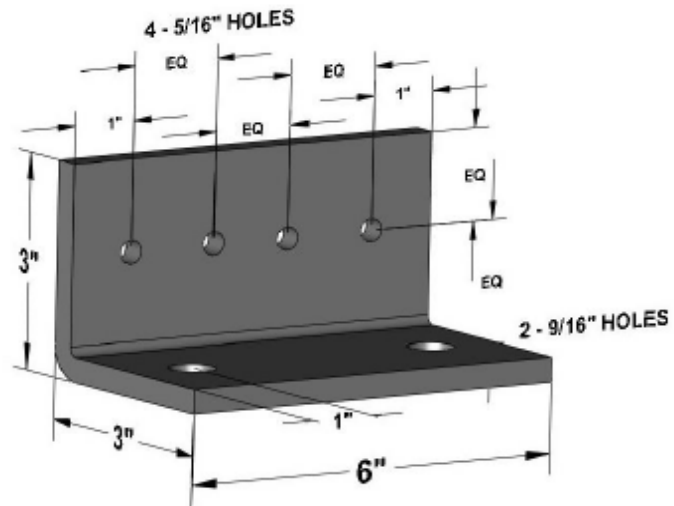
3-Hilti Kwik Flex #EAF-816

1 - Hilti KBTZ 1/2" x 3-3/4"

Bracket #33384A

Bracket Size				Bracket Holes		Bracket Attachment		
						Screws/Anchors Being Used		
H	W	Thick	Length	Side A	Side B	Side A	Side B	
3"	3"	3/8"	4	3-5/16"	1-9/16"	3-#14	1-1/2" Hilti	
Capacity (lbs) LRFD								
Screws (into min.0.048" Thickness)			Anchors		Over 4" Concrete		Conc Over Metal Deck	
Side A	Tension		Shear	Side B	Tension	Shear	Tension	Shear
Equip	630		1809	Conc	1000	1322	370	500

9.0 SeismicCo



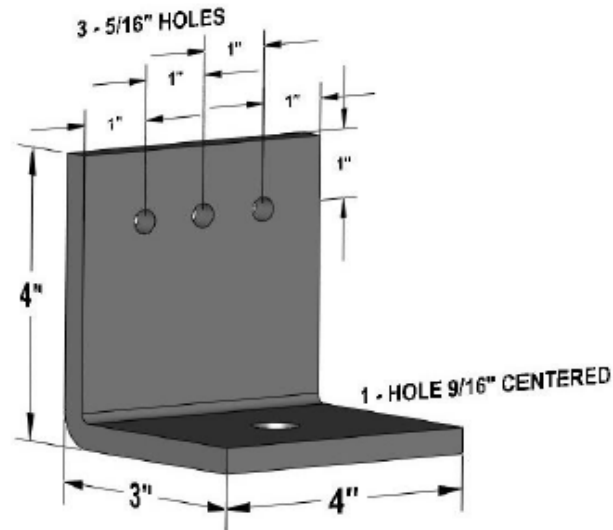
33386A

**4-Hilti Kwik Flex #EAF-816
2 - Hilti KBTZ 1/2" x 3-3/4"**

Bracket #33386A

Bracket Size				Bracket Holes		Bracket Attachment		
						Screws/Anchors Being Used		
H	W	Thick	Length	Side A	Side B	Side A	Side B	
3"	3"	3/8"	6"	4-5/16"	2-9/16"	4-#14	2-1/2" Hilti	
Capacity (lbs) LRFD								
Screws (into min.0.048" Thickness)			Anchors		Over 4" Concrete		Conc Over Metal Deck	
Side A	Tension		Shear	Side B	Tension	Shear	Tension	Shear
Equip	840		2412	Conc	1275	2552	670	1100

9.0 SeismicCo



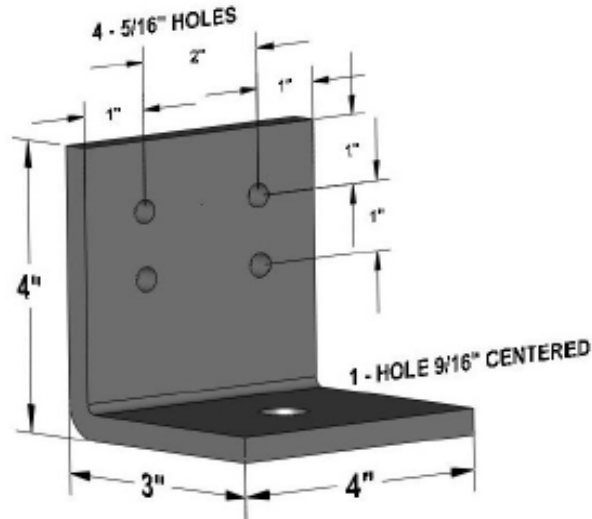
43384A

**3-Hilti Kwik Flex #EAF-816
1 - Hilti KBTZ 1/2" x 3-3/4"**

Bracket #43384A

Bracket Size				Bracket Holes		Bracket Attachment		
						Screws/Anchors Being Used		
H	W	Thick	Length	Side A	Side B	Side A	Side B	
4"	3"	3/8"	4"	3-5/16"	1-9/16"	3-#14	1-1/2" Hilti	
Capacity (lbs) LRFD								
Screws (into min.0.048" Thickness)			Anchors		Over 4" Concrete		Conc Over Metal Deck	
Side A	Tension		Shear	Side B	Tension	Shear	Tension	Shear
Equip	630		1809	Conc	1000	1322	370	500

9.0 SeismicCo



43384B

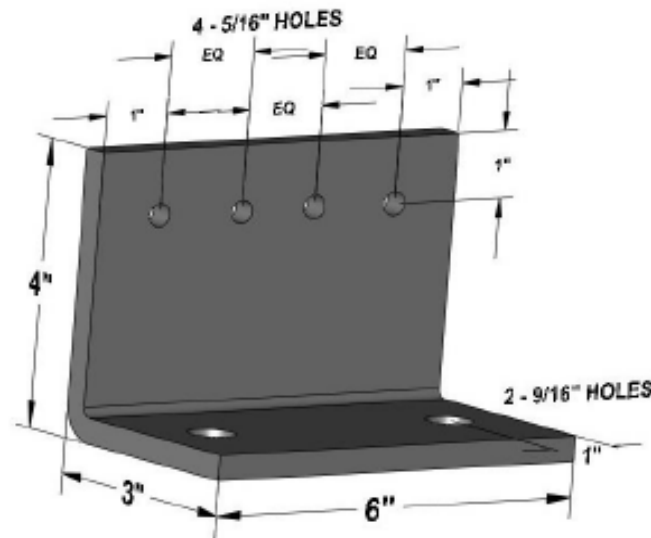
4-Hilti Kwik Flex #EAF-816

1 - Hilti KBTZ 1/2" x 3-3/4"

Bracket #43384B

Bracket Size				Bracket Holes		Bracket Attachment			
						Screws/Anchors Being Used			
H	W	Thick	Length	Side A	Side B	Side A	Side B		
4	3"	3/8"	4"	4-5/16"	1-9/16"	4-#14	1-1/2" Hilti		
Capacity (lbs) LRFD									
Screws (into min.0.048" Thickness)			Anchors		Over 4" Concrete		Conc Over Metal Deck		
Side A	Tension		Shear	Side B	Tension		Shear	Tension	Shear
Equip	840		2412	Conc	1000		1322	370	500

9.0 SeismicCo



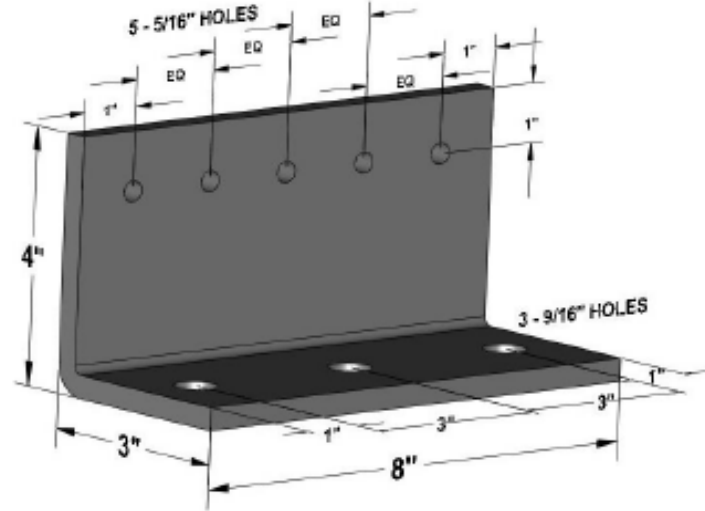
43386A

**4-Hilti Kwik Flex #EAF-816
2 - Hilti KBTZ 1/2" x 3-3/4"**

Bracket #43386A

Bracket Size				Bracket Holes		Bracket Attachment			
						Screws/Anchors Being Used			
H	W	Thick	Length	Side A	Side B	Side A	Side B		
4"	3"	3/8"	6	4-5/16"	2-9/16"	4-#14	2-1/2" Hilti		
Capacity (lbs) LRFD									
Screws (into min.0.048" Thickness)			Anchors		Over 4" Concrete		Conc Over Metal Deck		
Side A	Tension		Shear	Side B	Tension		Shear	Tension	Shear
Equip	840		2412	Conc	1275		2552	670	1100

9.0 SeismicCo



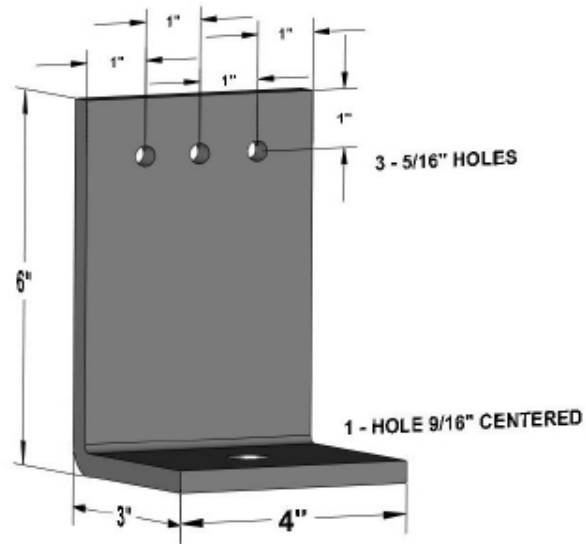
43388A

**5-Hilti Kwik Flex #EAF-816
3 - Hilti KBTZ 1/2" x 3-3/4"**

Bracket #43388A

Bracket Size				Bracket Holes		Bracket Attachment			
						Screws/Anchors Being Used			
H	W	Thick	Length	Side A	Side B	Side A	Side B		
4"	3"	3/8"	8"	5-5/16"	3-9/16"	5-#14	3-1/2" Hilti		
Capacity (lbs) LRFD									
Screws (into min.0.048" Thickness)			Anchors		Over 4" Concrete		Conc Over Metal Deck		
Side A	Tension		Shear	Side B	Tension		Shear	Tension	Shear
Equip	1050		3015	Conc	1400		3150	750	1240

9.0 SeismicCo



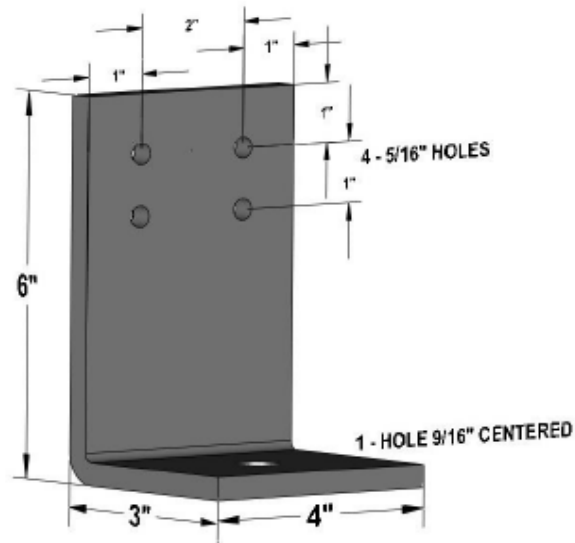
63384A

**3-Hilti Kwik Flex #EAF-816
1 - Hilti KBTZ 1/2" x 3-3/4"**

Bracket #63384A

Bracket Size				Bracket Holes		Bracket Attachment			
						Screws/Anchors Being Used			
H	W	Thick	Length	Side A	Side B	Side A	Side B		
6"	3"	3/8"	4"	3-5/16"	1-9/16"	3-#14	1-1/2" Hilti		
Capacity (lbs) LRFD									
Screws (into min.0.048" Thickness)			Anchors		Over 4" Concrete		Conc Over Metal Deck		
Side A	Tension		Shear	Side B	Tension		Shear	Tension	Shear
Equip	630		1809	Conc	1000		1322	370	500

9.0 SeismicCo

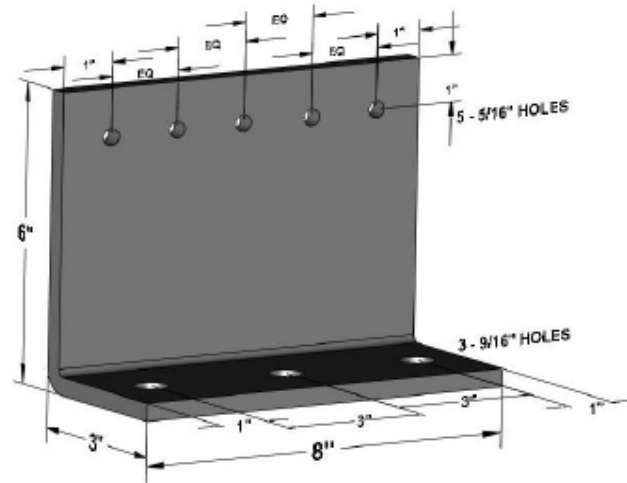


63384B **4-Hilti Kwik Flex #EAF-816**
1 - Hilti KBTZ 1/2" x 3-3/4"

Bracket #63384B

Bracket Size				Bracket Holes		Bracket Attachment	
						Screws/Anchors Being Used	
H	W	Thick	Length	Side A	Side B	Side A	Side B
6"	3"	3/8"	4"	4-5/16"	1-9/16"	4-#14	1-1/2" Hilti
Capacity (lbs) LRFD							
			Anchors	Over 4" Concrete		Conc Over Metal Deck	
Side A	Tension	Shear	Side B	Tension	Shear	Tension	Shear
Equip	840	2412	Conc	1000	1200	370	500

9.0 SeismicCo



63388A

5-Hilti Kwik Flex #EAF-816

3- Hilti KBTZ 1/2" x 3-3/4"

Bracket #63388A

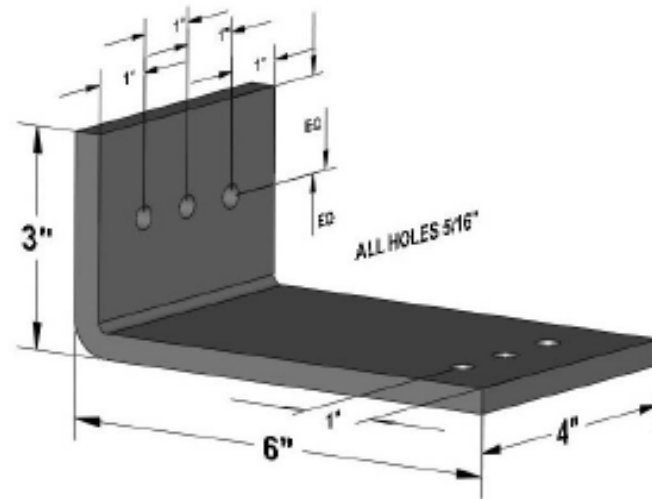
Bracket Size				Bracket Holes		Bracket Attachment		
						Screws/Anchors Being Used		
H	W	Thick	Length	Side A	Side B	Side A	Side B	
6"	3"	3/8"	8	5-5/16"	3-9/16"	5-#14	3-1/2" Hilti	
Capacity (lbs) LRFD								
Screws (into min.0.048" Thickness)			Anchors		Over 4" Concrete		Conc Over Metal Deck	
Side A	Tension		Shear	Side B	Tension	Shear	Tension	Shear
Equip	1050		3015	Conc	1400	3150	750	1240



9.0 SeismicCo®

3/8"
WALL

9.0 SeismicCo



36384A

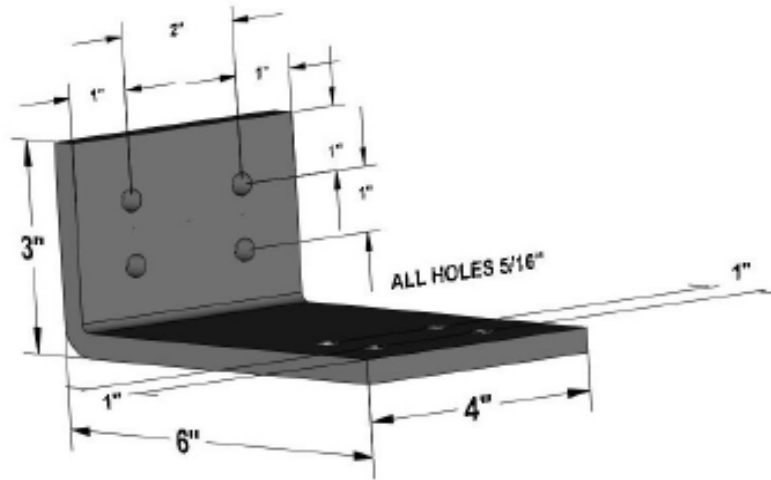
3-Hilti Kwik Flex #EAF-846

3-Hilti Kwik Flex #EAF-816

Bracket #36384A

Bracket Size				Bracket Holes		Bracket Attachment		
						Screws/Anchors Being Used		
H	W	Thick	Length	Side A	Side B	Side A	Side B	
3"	6"	3/8"	4"	3-5/16"	3-5/16"	3-#14	3-#14	
Capacity (lbs) LRFD								
Screws (into min.0.048" Thickness)								
Side A	Tension	Shear	Side B	Tension	Shear			
Wall	630	1809	Equip	630	1809			

9.0 SeismicCo

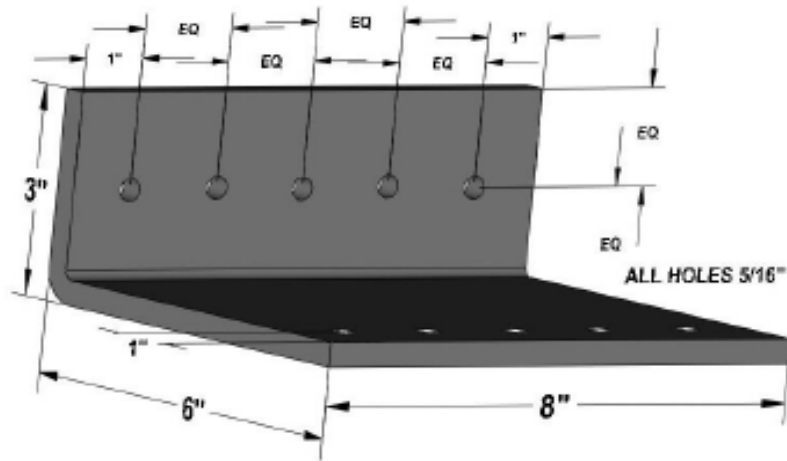


36384B **4-Hilti Kwik Flex #EAF-846**
4-Hilti Kwik Flex #EAF-816

Bracket #36384B

Bracket Size				Bracket Holes		Bracket Attachment		
						Screws/Anchors Being Used		
H	W	Thick	Length	Side A	Side B	Side A	Side B	
3"	6"	3/8"	4"	4-5/16"	4-5/16"	4-#14	4-#14	
Capacity (lbs) LRFD								
Screws (into min.0.048" Thickness)								
Side A	Tension	Shear	Side B	Tension	Shear			
Wall	840	2412	Equip	840	2412			

9.0 SeismicCo



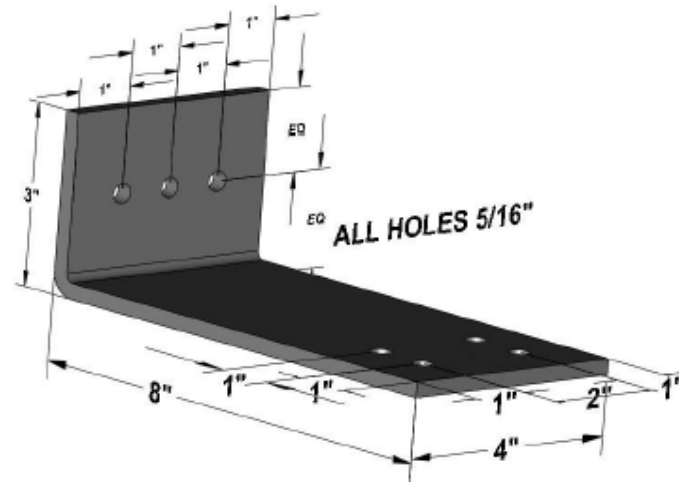
36388A

**5-Hilti Kwik Flex #EAF-846
5-Hilti Kwik Flex #EAF-816**

Bracket #36388A

Bracket Size				Bracket Holes		Bracket Attachment		
						Screws/Anchors Being Used		
H	W	Thick	Length	Side A	Side B	Side A	Side B	
3"	6"	3/8"	8"	5-5/16"	5-5/16"	5-#14	5-#15	
Capacity (lbs) LRFD								
Screws (into min.0.048" Thickness)								
Side A	Tension	Shear	Side B	Tension	Shear			
Wall	1050	3015	Equip	1050	3015			

9.0 SeismicCo



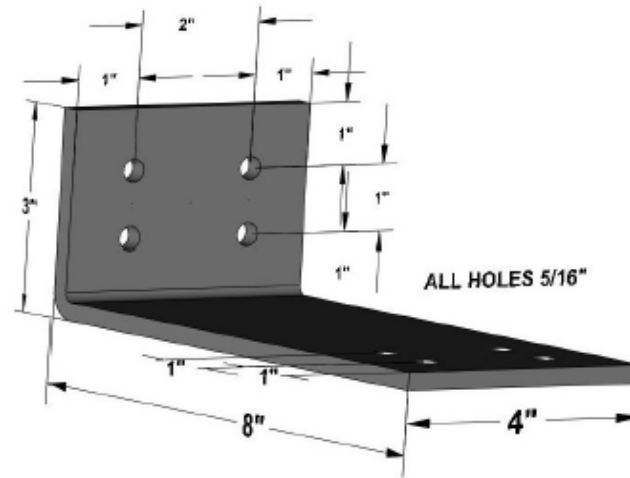
38384A

**3-Hilti Kwik Flex #EAF-846
4-Hilti Kwik Flex #EAF-816**

Bracket #38384A

Bracket Size				Bracket Holes		Bracket Attachment			
						Screws/Anchors Being Used			
H	W	Thick	Length	Side A	Side B	Side A	Side B		
3"	8"	3/8"	4"	3-5/16"	4-5/16"	3-#14	4-#14		
Capacity (lbs) LRFD									
Screws (into min.0.048" Thickness)									
Side A	Tension		Shear	Side B	Tension		Shear		
Wall	630		1809	Equip	840		2412		

9.0 SeismicCo



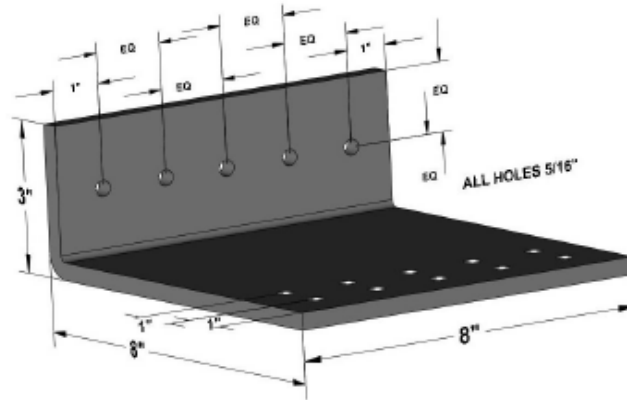
38384B

**4-Hilti Kwik Flex #EAF-846
4-Hilti Kwik Flex #EAF-816**

Bracket #38384B

Bracket Size				Bracket Holes		Bracket Attachment		
						Screws/Anchors Being Used		
H	W	Thick	Length	Side A	Side B	Side A	Side B	
3"	8"	3/8"	4"	4-5/16"	4-5/16"	4-#14	4-#14	
Capacity (lbs) LRFD								
Screws (into min.0.048" Thickness)								
Side A	Tension	Shear	Side B	Tension	Shear			
Wall	840	2412	Equip	840	2412			

9.0 SeismicCo



38388A

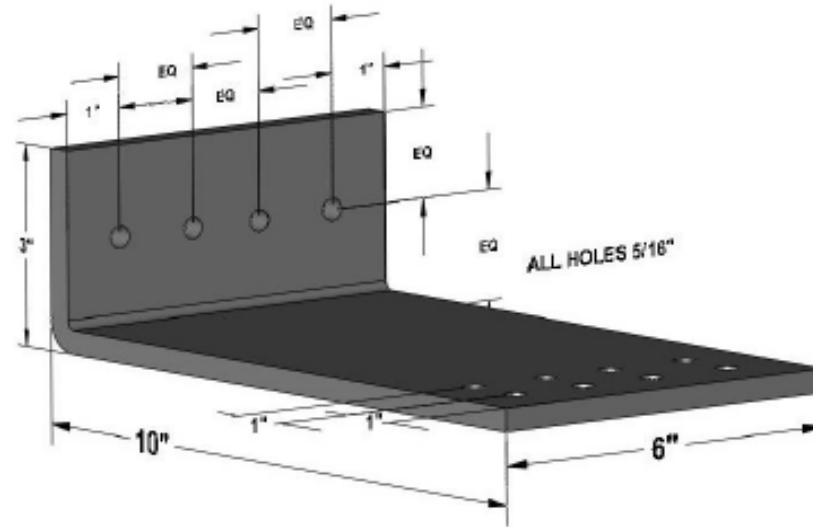
5-Hilti Kwik Flex #EAF-846

10-Hilti Kwik Flex #EAF-816

Bracket #38388A

Bracket Size				Bracket Holes		Bracket Attachment		
						Screws/Anchors Being Used		
H	W	Thick	Length	Side A	Side B	Side A	Side B	
3"	8"	3/8"	8"	5-5/16"	10-5/16"	5-#14	10-#14	
Capacity (lbs) LRFD								
Screws (into min.0.048" Thickness)								
Side A	Tension		Shear	Side B	Tension		Shear	
Wall	1050		3015	Equip	2100		6030	

9.0 SeismicCo



310386A

4-Hilti Kwik Flex #EAF-846

8-Hilti Kwik Flex #EAF-816

Bracket #310386A

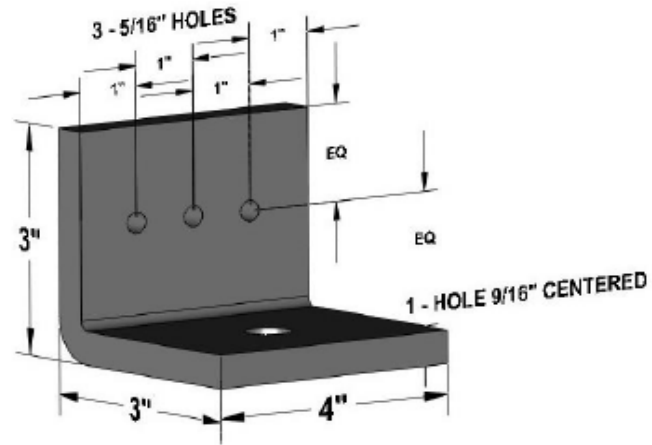
Bracket Size				Bracket Holes		Bracket Attachment			
						Screws/Anchors Being Used			
H	W	Thick	Length	Side A	Side B	Side A	Side B		
3"	10"	3/8"	6"	4-5/16"	8-5/16"	4-#14	8-#14		
Capacity (lbs) LRFD									
Screws (into min.0.048" Thickness)									
Side A	Tension	Shear	Side B	Tension	Shear				
Wall	840	2412	Equip	1680	4824				



9.0 SeismicCo®

1/2"
FLOOR

9.0 SeismicCo



#33124A

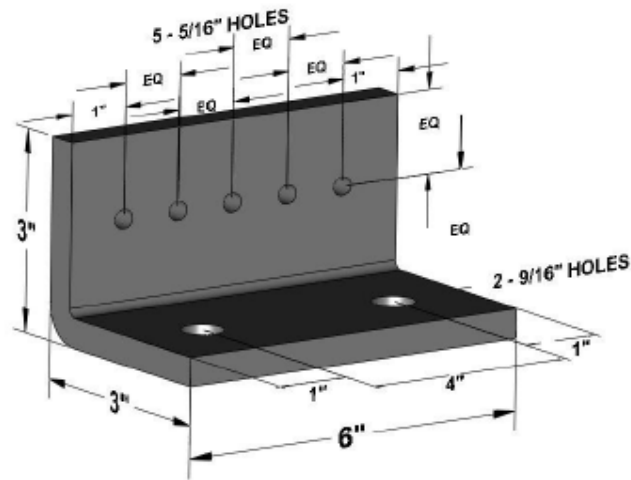
3-Hilti Kwik Flex #EAF-816

1 - Hilti KBTZ 1/2" x 3-3/4"

Bracket #33124A

Bracket Size				Bracket Holes		Bracket Attachment			
						Screws/Anchors Being Used			
H	W	Thick	Length	Side A	Side B	Side A	Side B		
3"	3"	1/2"	4"	3-5/16"	1-9/16"	3-#14	1-1/2" Hilti		
Capacity (lbs) LRFD									
Screws (into min.0.048" Thickness)			Anchors		Over 4" Concrete		Conc Over Metal Deck		
Side A	Tension		Shear	Side B	Tension		Shear	Tension	Shear
Equip	630		1809	Conc	1000		1322	370	500

9.0 SeismicCo

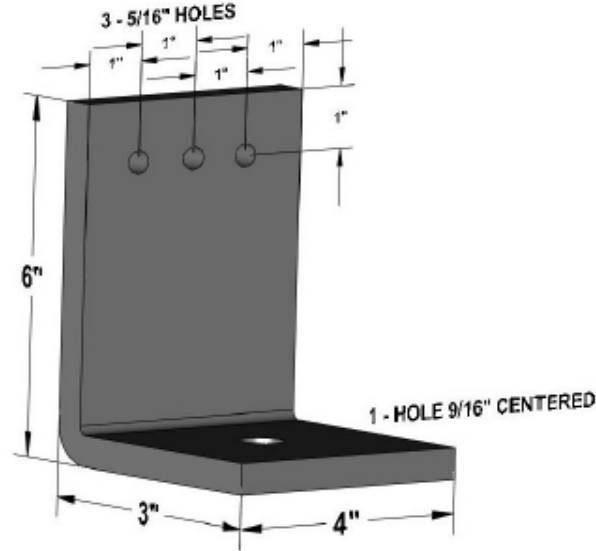


#33126A **5-Hilti Kwik Flex #EAF-816**
2 - Hilti KBTZ 1/2" x 3-3/4"

Bracket #33126A

Bracket Size				Bracket Holes		Bracket Attachment		
						Screws/Anchors Being Used		
H	W	Thick	Length	Side A	Side B	Side A	Side B	
3"	3"	1/2"	6"	5-5/16"	2-9/16"	5-#14	2-1/2" Hilti	
Capacity (lbs) LRFD								
Screws (into min.0.048" Thickness)			Anchors		Over 4" Concrete		Conc Over Metal Deck	
Side A	Tension		Shear	Side B	Tension	Shear	Tension	Shear
Equip	1050		3015	Conc	1275	2552	670	1100

9.0 SeismicCo

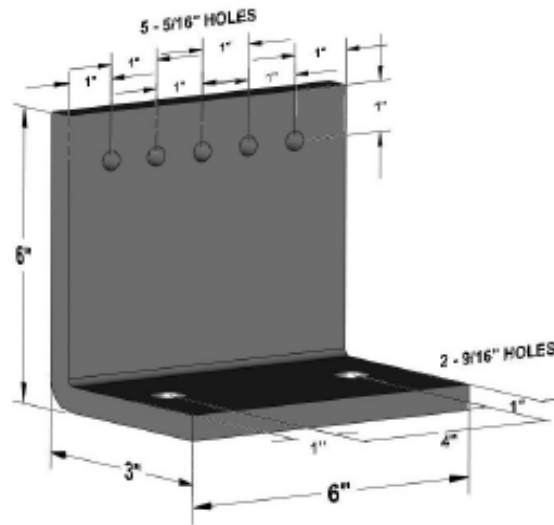


#63124A **3-Hilti Kwik Flex #EAF-816**
1 - Hilti KBTZ 1/2" x 3-3/4"

Bracket #63124A

Bracket Size				Bracket Holes		Bracket Attachment			
						Screws/Anchors Being Used			
H	W	Thick	Length	Side A	Side B	Side A	Side B		
6'	3"	1/2"	4"	3-5/16"	1-9/16"	3-#14	1-1/2" Hilti		
Capacity (lbs) LRFD									
Screws (into min.0.048" Thickness)			Anchors		Over 4" Concrete		Conc Over Metal Deck		
Side A	Tension		Shear	Side B	Tension		Shear	Tension	Shear
Equip	630		1809	Conc	1000		1322	370	500

9.0 SeismicCo



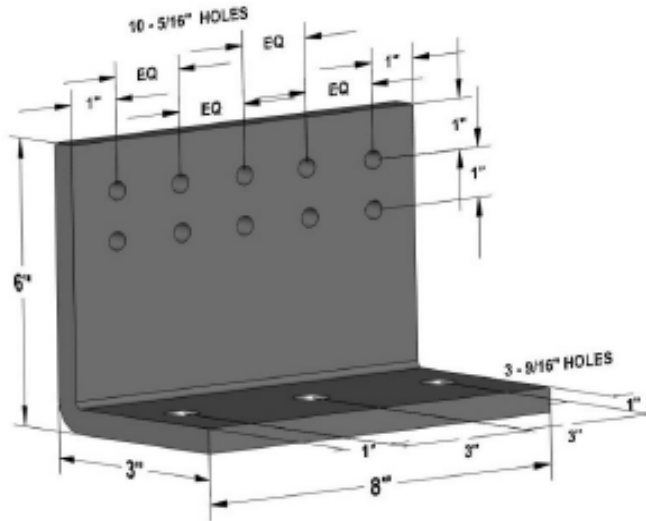
63126A

**5-Hilti Kwik Flex #EAF-816
2 - Hilti KBTZ 1/2" x 3-3/4"**

Bracket #63126A

Bracket Size				Bracket Holes		Bracket Attachment			
						Screws/Anchors Being Used			
H	W	Thick	Length	Side A	Side B	Side A	Side B		
6"	3"	1/2"	6"	5-5/16"	2-9/16"	5-#14	2-1/2" Hilti		
Capacity (lbs) LRFD									
Screws (into min.0.048" Thickness)			Anchors		Over 4" Concrete		Conc Over Metal Deck		
Side A	Tension		Shear	Side B	Tension		Shear	Tension	Shear
Equip	1050		3015	Conc	1275		2552	670	1000

9.0 SeismicCo

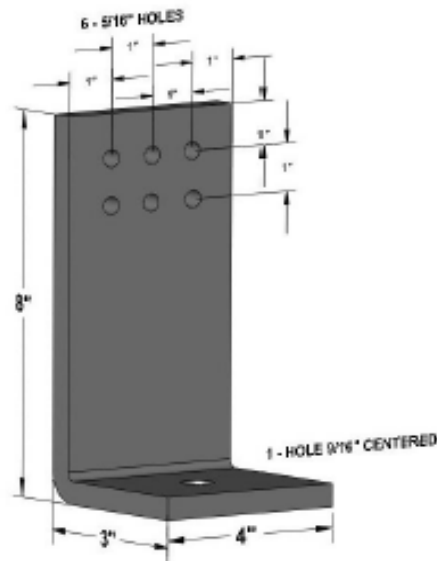


63128A **10-Hilti Kwik Flex #EAF-816**
3 - Hilti KBTZ 1/2" x 3-3/4"

Bracket #63128A

Bracket Size				Bracket Holes		Bracket Attachment			
						Screws/Anchors Being Used			
H	W	Thick	Length	Side A	Side B	Side A	Side B		
6"	3"	1/2"	8"	10-5/16"	3-9/16"	10-#14	3-1/2" Hilti		
Capacity (lbs) LRFD									
Screws (into min.0.048" Thickness)			Anchors		Over 4" Concrete		Conc Over Metal Deck		
Side A	Tension		Shear	Side B	Tension		Shear	Tension	Shear
Equip	2100		6030	Conc	1400		3150	750	1240

9.0 SeismicCo

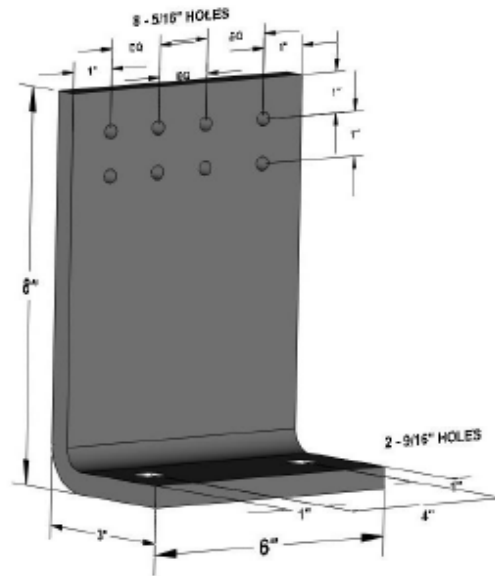


83124A **6-Hilti Kwik Flex #EAF-816**
1 - Hilti KBTZ 1/2" x 3-3/4"

Bracket #83124A

Bracket Size				Bracket Holes		Bracket Attachment		
						Screws/Anchors Being Used		
H	W	Thick	Length	Side A	Side B	Side A	Side B	
8"	3"	1/2"	4"	6-5/16"	1-9/16"	6-#14	1-1/2" Hilti	
Capacity (lbs) LRFD								
Screws (into min.0.048" Thickness)			Anchors		Over 4" Concrete		Conc Over Metal Deck	
Side A	Tension		Shear	Side B	Tension	Shear	Tension	Shear
Equip	1260		3618	Conc	1000	1322	370	500

9.0 SeismicCo



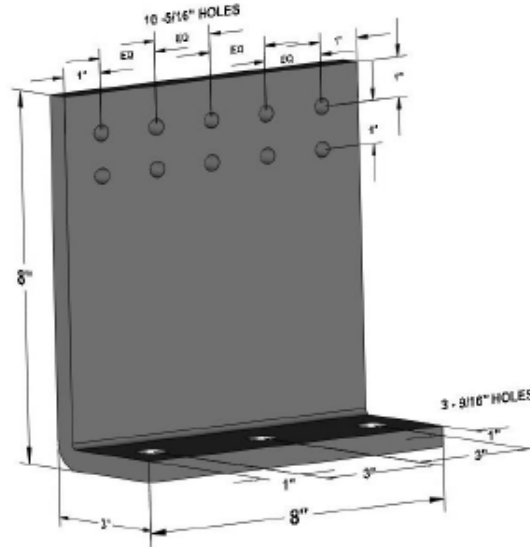
83126A

**8-Hilti Kwik Flex #EAF-816
2 - Hilti KBTZ 1/2" x 3-3/4"**

Bracket #83126A

Bracket Size				Bracket Holes		Bracket Attachment			
						Screws/Anchors Being Used			
H	W	Thick	Length	Side A	Side B	Side A	Side B		
8"	3"	1/2"	6"	8-5/16"	2-9/16"	8-#14	2-1/2" Hilti		
Capacity (lbs) LRFD									
Screws (into min.0.048" Thickness)			Anchors		Over 4" Concrete		Conc Over Metal Deck		
Side A	Tension		Shear	Side B	Tension		Shear	Tension	Shear
Equip	840		2412	Conc	1275		2552	670	1000

9.0 SeismicCo



83128A **10-Hilti Kwik Flex #EAF-816**
3 - Hilti KBTZ 1/2" x 3-3/4"

Bracket #83128A

Bracket Size				Bracket Holes		Bracket Attachment		
						Screws/Anchors Being Used		
H	W	Thick	Length	Side A	Side B	Side A	Side B	
8"	3"	1/2"	8"	10-5/16"	3-9/16"	10-#14	3-1/2" Hilti	
Capacity (lbs) LRFD								
Screws (into min.0.048" Thickness)			Anchors		Over 4" Concrete		Conc Over Metal Deck	
Side A	Tension		Shear	Side B	Tension	Shear	Tension	Shear
Equip	2100		3015	Conc	1400	3150	750	1240



9.0 SeismicCo®

APPROVED KITS





9.0 SeismicCo®

KIT
KBL1001

LEVELING LEG CAPTURE KIT



9.0 SeismicCo®

SEISMIC BRACKETS AND ANCHORING KITS

2340 W. Parkside Lane Suite H-111
Phoenix, Arizona 85027
623-806-0156
info@seismicco.com
www.seismicco.com
Lic # 21000346-N



KIT #KBL1001

KIRBY LESTER KL100, KL108 & KL160 LEVELING LEG CAPTURE ANCHORAGE KIT



ICC-ESR-4233



Scan for a Copy of the Report



9.0 SeismicCo®

SEISMIC BRACKETS AND ANCHORING KITS

2340 W. Parkside Lane Suite H-111
Phoenix, Arizona 85027
623-806-0156
info@seismicco.com
www.seismicco.com
Lic: # 21000346-N

ANCHORAGE KIT

KIT #KBL1001

DESCRIPTION SUMMARY:

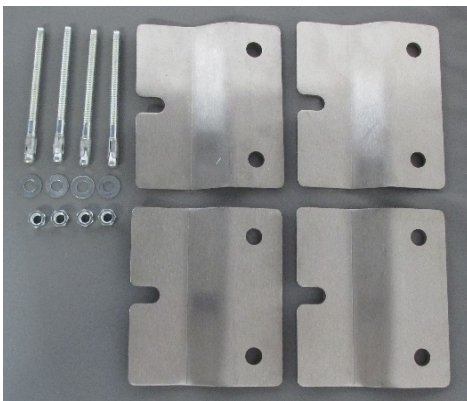
- Leveling leg capture anchorage
- Secured by capturing the leveling foot. No screws to equipment.

SUPPORTED EQUIPMENT:

- **Kirby Lester Models: KL100, KL108 & KL160**

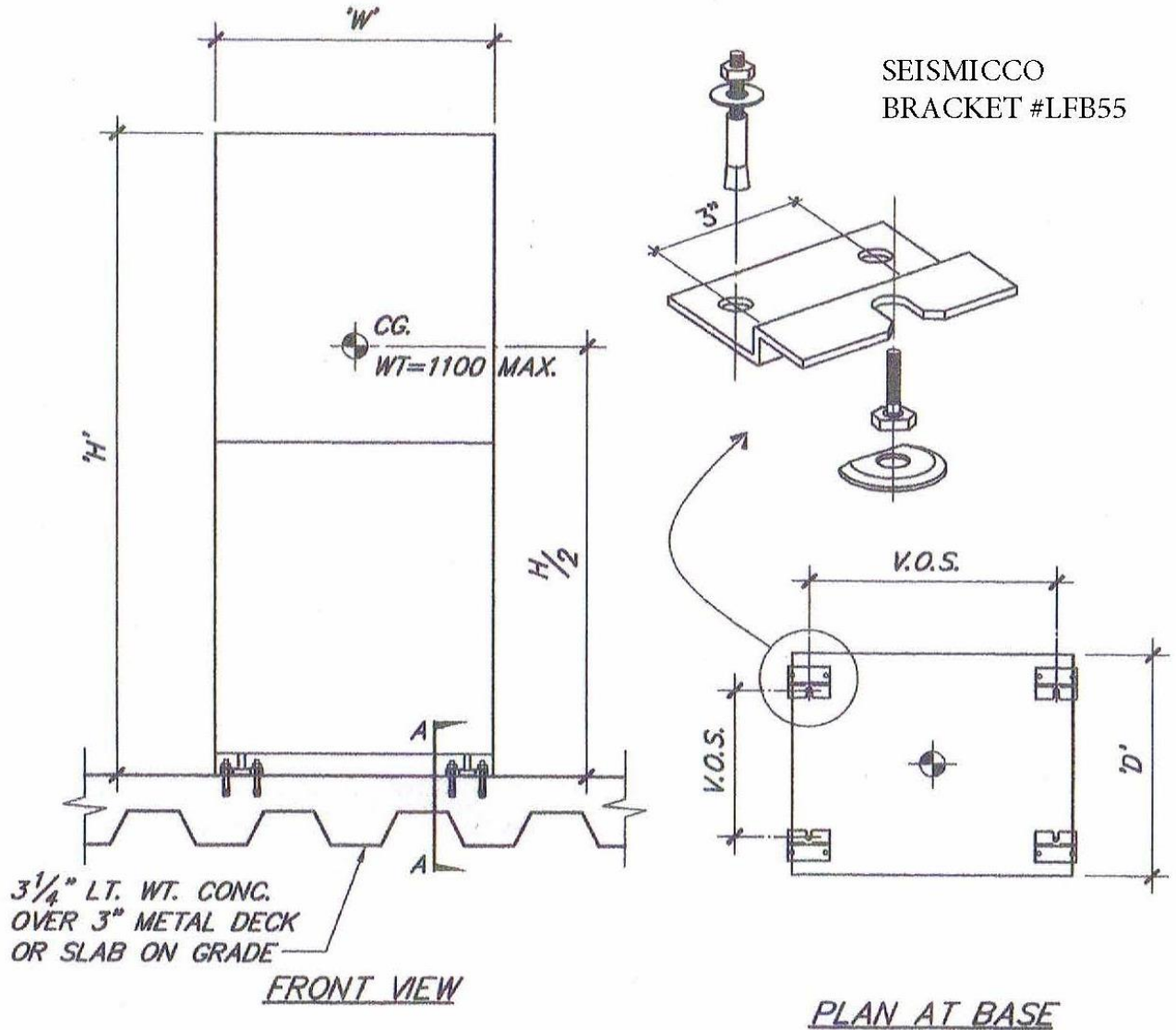
PARTS INCLUDED:

- 4 - Seismic Co. LFB55 brackets
- 8 - 3/8" x 3-3/4" Hilti KBTZ anchors (ICC-ESR - 1917)



ANCHORAGE DETAIL

9.0 SEISMIC CO KIT #KBL1001



9.0 SeismicCo[®]

SEISMIC BRACKETS AND ANCHORING KITS

2340 W. Parkside Lane Ste. H-111

Phoenix, Arizona 85027

Office: (623)8606-0156

Email: info@seismicco.com

Website: www.seismicco.com

Date: 9/20/2017

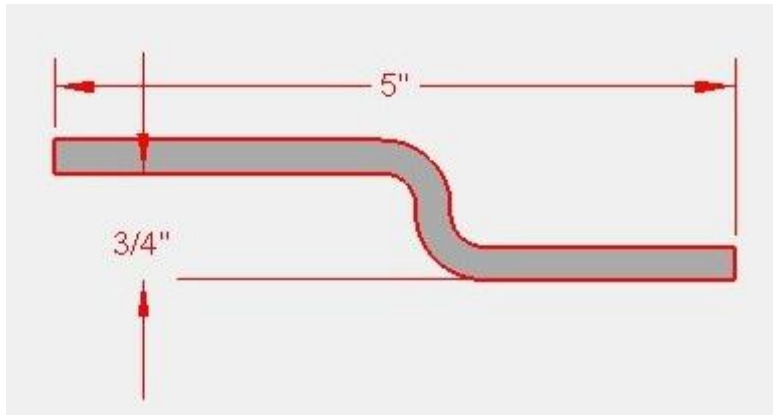
Sheet

2

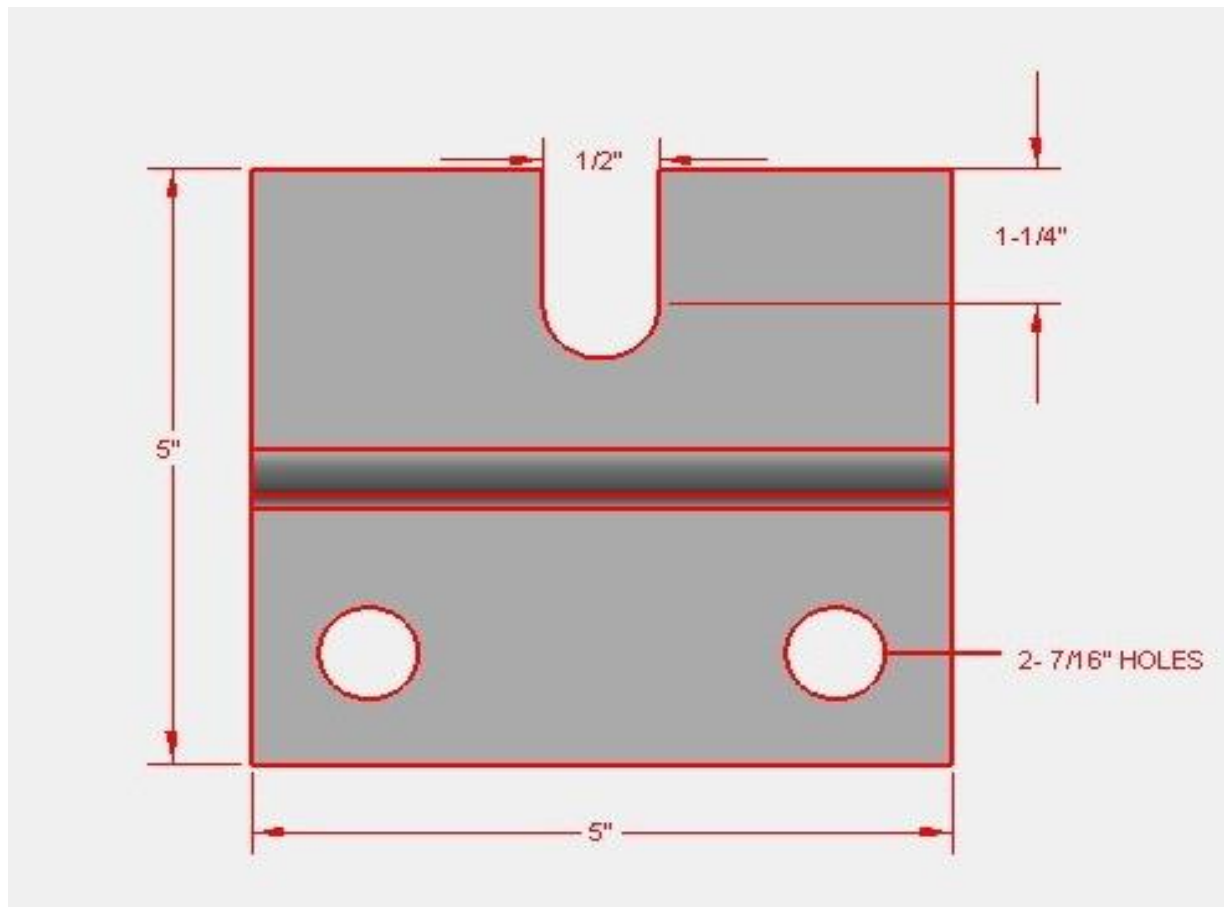
of 3 Sheets

BRACKET DETAIL

9.0 SEISMIC CO KIT #KBL1001



SEISMICCO
BRACKET
#LFBB55



9.0 SeismicCo®

SEISMIC BRACKETS AND ANCHORING KITS

2340 W. Parkside Lane Ste. H-111
Phoenix, Arizona 85027
Office: (623)806-0156
Email: info@seismicco.com
Website: www.seismicco.com

Date: 9/20/2017

Sheet

3

of 3 Sheets



9.0 SeismicCo®

KIT
DRF1006

DOMESTIC REFRIGERATOR FLOOR KIT



9.0 SeismicCo®

SEISMIC BRACKETS AND ANCHORING KITS

2340 W. Parkside Lane Suite H-111
Phoenix, Arizona 85027
623-806-0156
info@seismicco.com
www.seismicco.com
Lic # 21000346-N

KIT #DRF1006

DESCRIPTION

Domestic Refrigerator Floor Anchorage Kit



ICC-ESR-4233



Scan For a Copy of the Report



9.0 SeismicCo®

SEISMIC BRACKETS AND ANCHORING KITS

2340 W. Parkside Lane Suite H-111
Phoenix, Arizona 85027
623-806-0156
info@seismicco.com
www.seismicco.com
Lic # 21000346-N

ANCHORAGE KIT KIT #DRF1006

DESCRIPTION SUMMARY:

Kit is for Domestic Refrigerator/Freezer units

SUPPORTED EQUIPMENT:

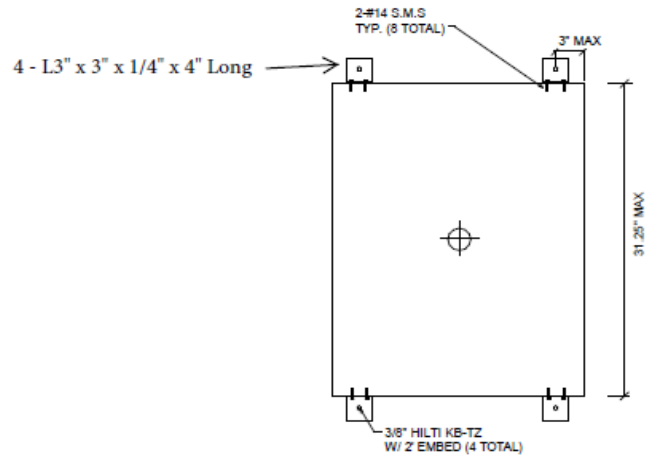
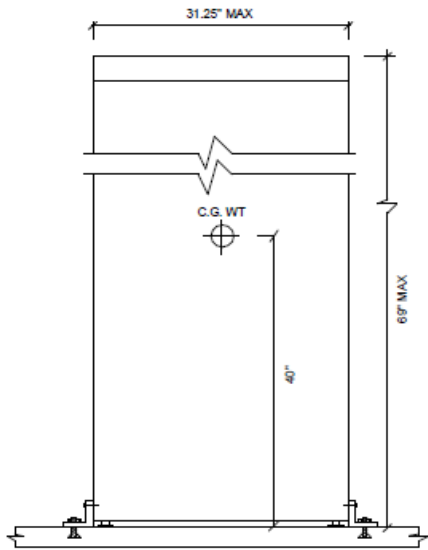
All Domestic Refrigerators/Freezers

PARTS INCLUDED:

4- L 3" x 3" x 1/4" x 4" Long (9.0 SeismicCo #33144A)
4- Hilti KBTZ 3/8" x 3-3/4"
8 - #14 Hex Head Tek 2" Long

ANCHORAGE DETAIL

9.0 SEISMICCO KIT NUMBER - DRF1006



DOMESTIC REFRIGERATOR
ANCHORAGE DETAIL



9.0 SeismicCo[®]

SEISMIC BRACKETS AND ANCHORING KITS

2340 W. Parkside Lane Ste. H-111
Phoenix, Arizona 85027
Office: (623)806-0156
Email: info@seismicco.com
Website: www.seismicco.com

Date: 10/17/2017

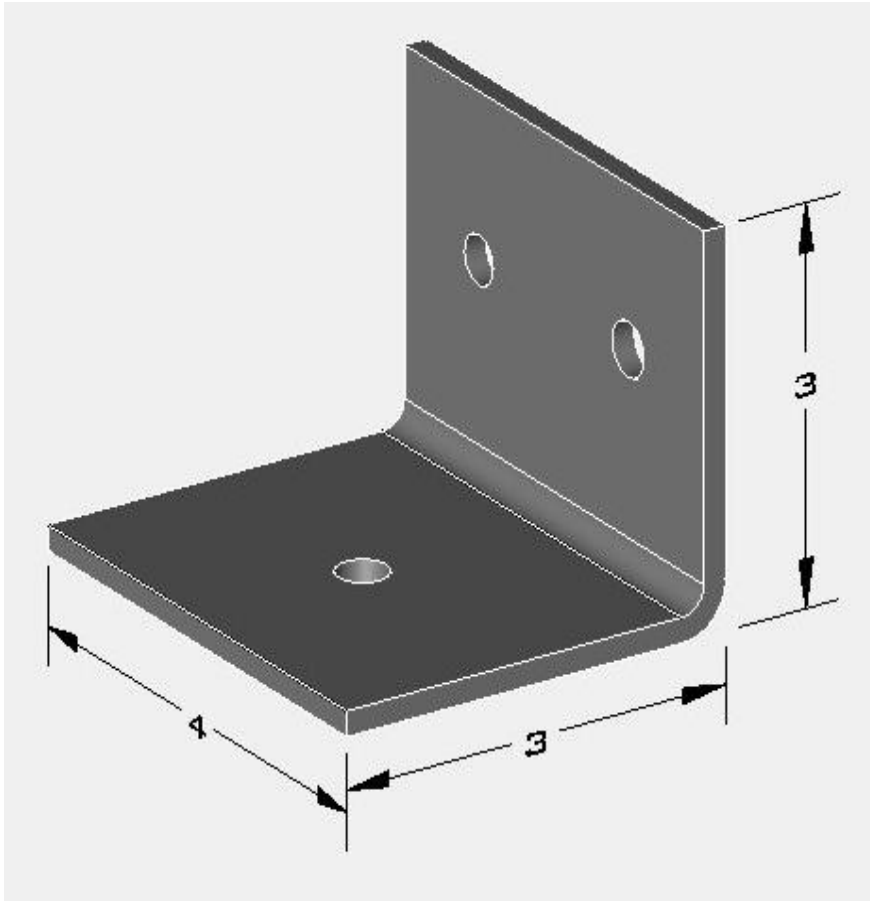
Sheet

2

of 3 Sheets

BRACKET DESCRIPTION

9.0 SEISMICCO KIT NUMBER - DRF1006



L3" x 3" x 1/4" x 4" Bent Plate White
9.0 SeismicCo Bracket #33144A

1- 7/16" Hole Predrill for the Hilti Anchor

2 - 5/16" Holes for #14 Tek Screws



9.0 SeismicCo®

SEISMIC BRACKETS AND ANCHORING KITS

2340 W. Parkside Lane Ste. H-111
Phoenix, Arizona 85027
Office: (623)806-0156
Email: info@seismicco.com
Website: www.seismicco.com

Date: 10/17/2017

Sheet

3

of 3 Sheets



9.0 SeismicCo®

KIT
HELM10

HELMER REFRIGERATOR/FREEZER KIT

HELM10-S SINGLE DOOR UNITS

HELM10-D DOUBLE DOOR UNITS



9.0 SeismicCo®

SEISMIC BRACKETS AND ANCHORING KITS

2340 W. Parkside Lane Suite H-111
Phoenix, Arizona 85027
623-806-0156
info@seismicco.com
www.seismicco.com
Lic # 21000346-N

HELMER SCIENTIFIC HORIZON SERIES & I SERIES REFRIGERATOR/FREEZER FLOOR ANCHORAGE KIT

KITS #HELM10-S SINGLE DOOR UNITS

#HELM10-D DOUBLE DOOR UNITS



ICC-ESR-4233



Scan for a Copy of the Report



9.0 SeismicCo®

SEISMIC BRACKETS AND ANCHORING KITS

2340 W. Parkside Lane Suite H-111
Phoenix, Arizona 85027
623-806-0156
info@seismicco.com
www.seismicco.com
Lic:# 21000346-N

ANCHORAGE KIT

KIT #HELM10

DESCRIPTION SUMMARY:

- Refrigerator/Freezer Anchorage
- Kit anchors from bottom of unit directly to floor
- Removable front bolts for convenient servicing

SUPPORTED EQUIPMENT:

- All Helmer wheeled refrigerator/freezer units - Single Door & Double Door

PARTS INCLUDED: Single Door Kit HELM10-S

- 2 - 9.0 Seismic Co. back bracket assemblies
- 2 - 9.0 Seismic Co. front bracket assemblies
- 8 - Hilti 1/2" x 3-3/4" KBTZ (ICC ESR-1917)
- 16 - #14 x 1-1/2" Tek Screws
- 4 - 1/4" x 1'-1/4" A307 Bolts w/washer, lock washer and nuts

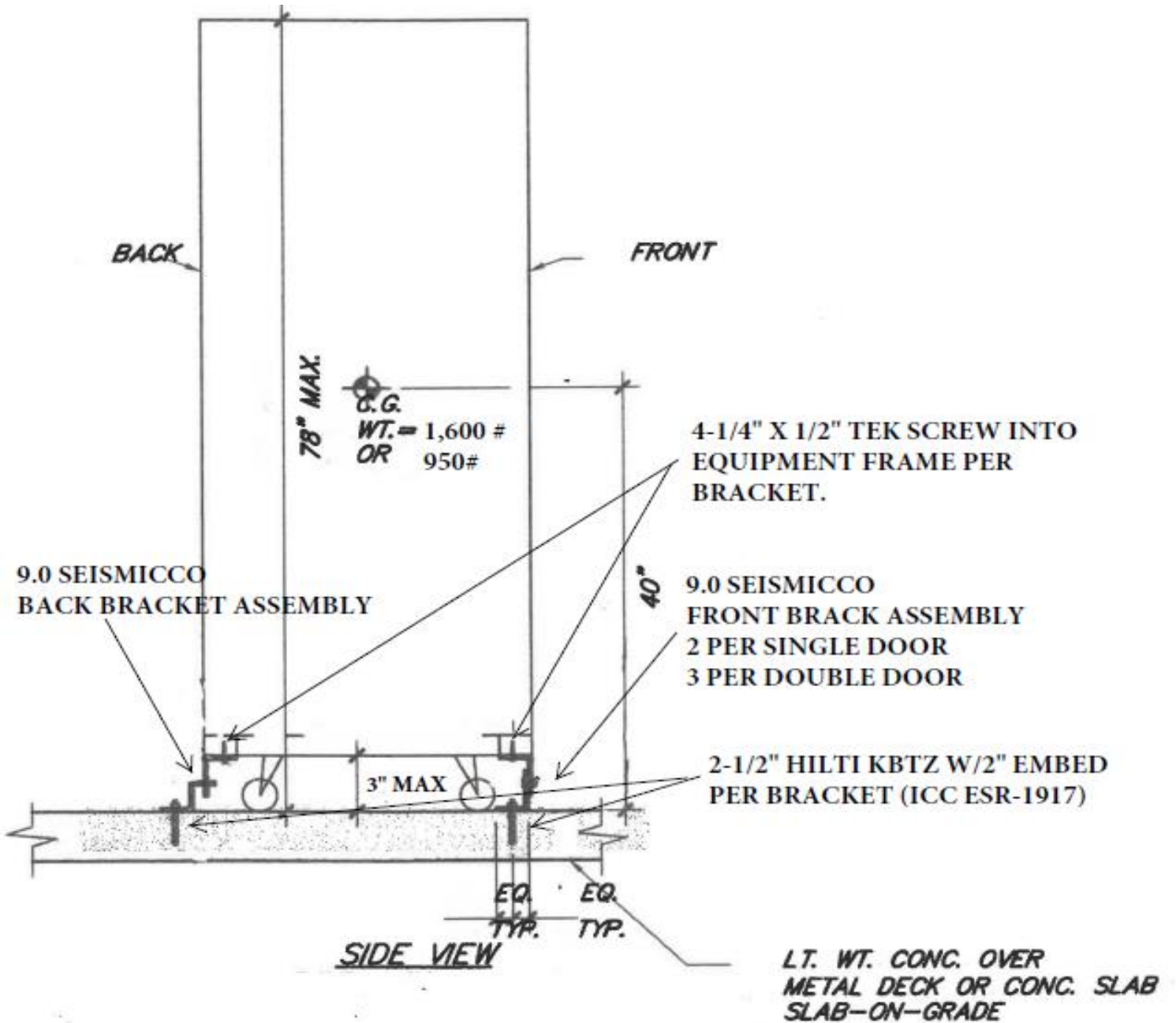
PARTS INCLUDED: Double Door Kit HELM10-D

- 3 - 9.0 Seismic Co. back bracket assemblies
- 3 - 9.0 Seismic Co. front bracket assemblies
- 12 - Hilti 1/2" x 3-3/4" KBTZ (ICC ESR-1917)
- 24 - #14 x 1-1/2" Tek Screws
- 6 - 1/4" x 1'-1/4" A307 Bolts w/washer, lock washer and nuts

ANCHORAGE DETAIL

9.0 SEISMIC CO KIT #HELM10

SIDE VIEW



9.0 SeismicCo®

SEISMIC BRACKETS AND ANCHORING KITS

2340 W. Parkside Lane Ste. H-111
Phoenix, Arizona 85027
Office: (623)8606-0156
Email: info@seismicco.com
Website: www.seismicco.com

Date: 3-20-2020

Sheet

3

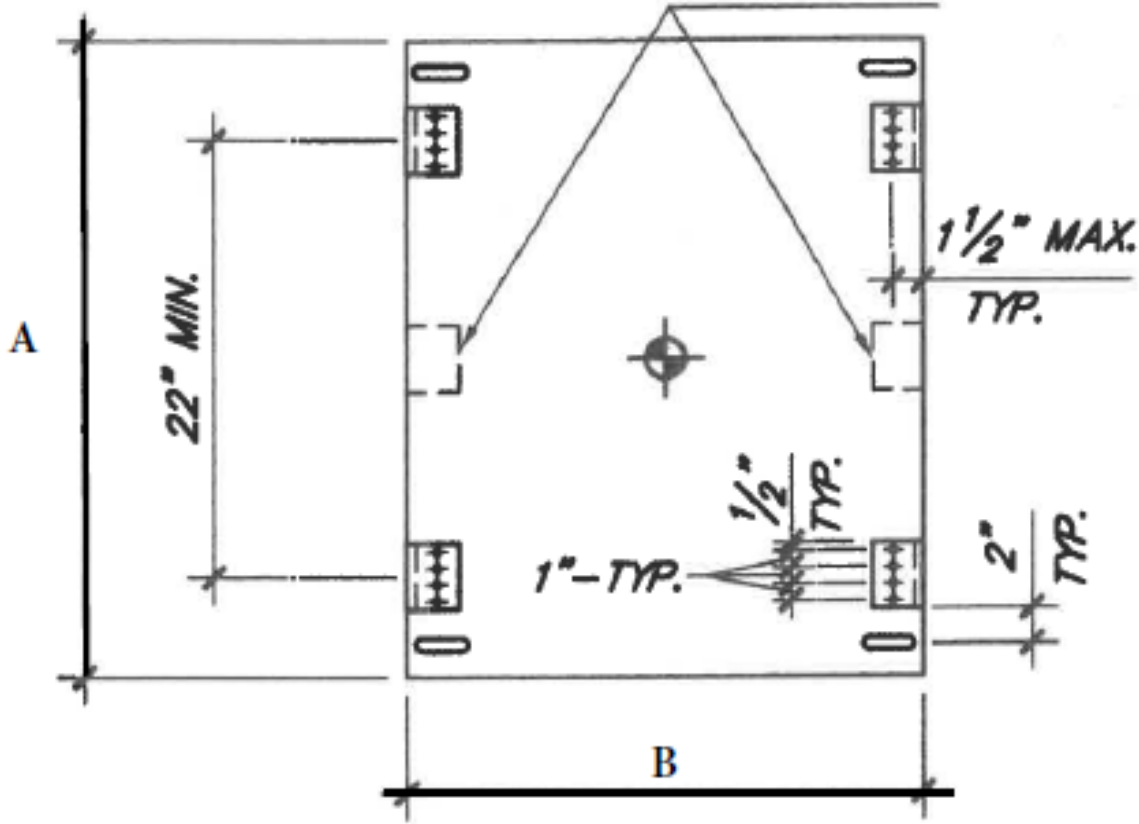
of 4 Sheets

ANCHORAGE DETAIL

9.0 SEISMIC CO KIT #HELM10

PLAN VIEW

Additional Location for Added Double Door Units



Side A Max Width

Single Door - 26"
 Double Door - 57"

Side B Max Depth

Single Door - 32"
 Double Door - 32"



9.0 SeismicCo

SEISMIC BRACKETS AND ANCHORING KITS

2340 W. Parkside Lane Ste. H-111
 Phoenix, Arizona 85027
 Office: (623)8606-0156
 Email: info@seismicco.com
 Website: www.seismicco.com

Date: 3-20-2020

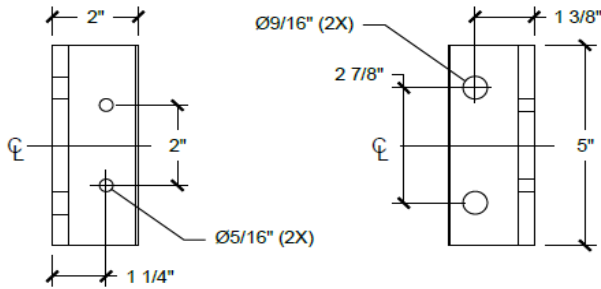
Sheet

2

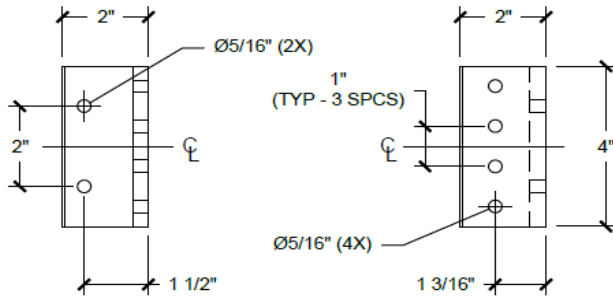
of 4 Sheets

BRACKET DETAIL

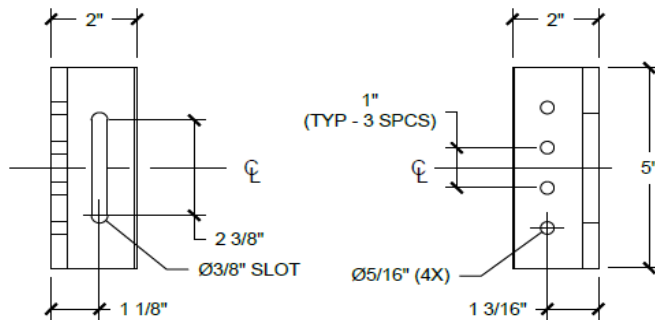
9.0 SEISMIC CO KIT #HELM10



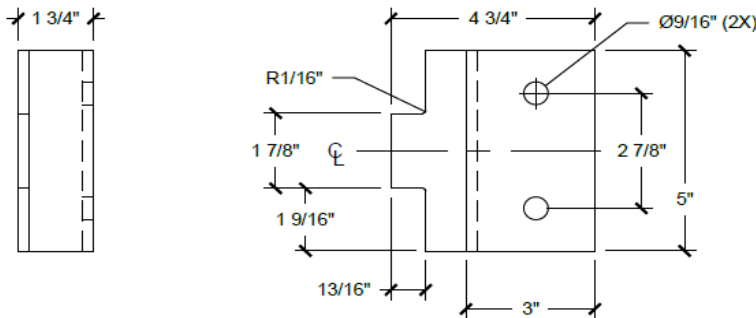
PART A - L 2" x 2" x 3/8"
SCALE: 3" = 1'-0"



PART B - L 2" x 2" x 3/8"
SCALE: 3" = 1'-0"



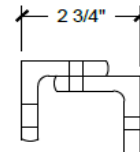
PART C - L 2" x 2" x 3/8"
SCALE: 3" = 1'-0"



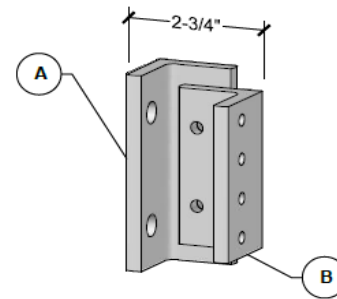
PART D - PL 1/4" x 6-1/2" x 5"
SCALE: 3" = 1'-0"

NOTES:

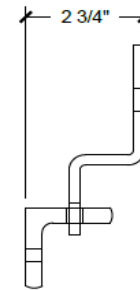
1. ALL PLATE MATERIAL ASTM A36, ALL SHAPED MATERIAL A500 GR. C.
2. ALL WRITTEN DIMENSIONS SUPERCEDES SCALED DIMENSIONS.
3. ALLOWED TOLERANCE FOR MANUFACTURING IS $\pm 1/16"$ UNLESS OTHERWISE NOTED.
4. IF DRAWING IS NOT PRINTED 1:1 ON AN A-SIZE SHEET ($8\frac{1}{2}$ X 11), THE DRAWING MUST NOT BE USED TO SCALE.
5. FINISH: POWDER RAL 9003 (SIGNAL WHITE).



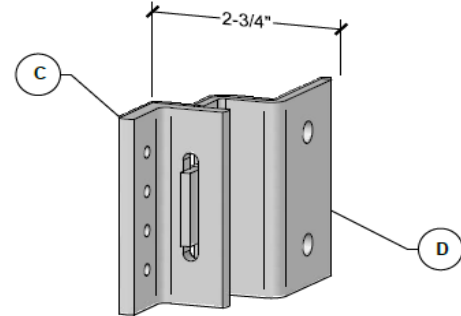
TOP VIEW ASM
SCALE: 3" = 1'-0"



ISOMETRIC ASM
SCALE: 3" = 1'-0"



TOP VIEW ASM
SCALE: 3" = 1'-0"



ISOMETRIC ASM
SCALE: 3" = 1'-0"



9.0 SeismicCo

SEISMIC BRACKETS AND ANCHORING RITS

2340 W. Parkside Lane Ste. H-111
Phoenix, Arizona 85027
Office: (623)806-0156
Email: info@seismicco.com
Website: www.seismicco.com

Date: 3-20-2020

Sheet

4

of 4 Sheets



9.0 SeismicCo®

KIT
LRF1005

**LARGE LAB REFRIGERATOR/FREEZER
FLOOR ANCHORING KIT**



9.0 SeismicCo®

SEISMIC BRACKETS AND ANCHORING KITS

2340 W. Parkside Lane Suite H-110
Phoenix, Arizona 85027
623-806-0156
info@seismicco.com
www.seismicco.com
Lic # 21000346-N

KIT #LRF1005

DESCRIPTION

Lab Freezer Floor anchorage Kit



ICC-ESR-4233



Scan for a Copy of the Report



9.0 SeismicCo®

SEISMIC BRACKETS AND ANCHORING KITS

2340 W. Parkside Lane Suite H-110
Phoenix, Arizona 85027
623-806-0156
info@seismicco.com
www.seismicco.com
Lic # 21000346-N

ANCHORAGE KIT KIT #LRF1005

DESCRIPTION SUMMARY:

Kit is for large Lab Freezer units

SUPPORTED EQUIPMENT:

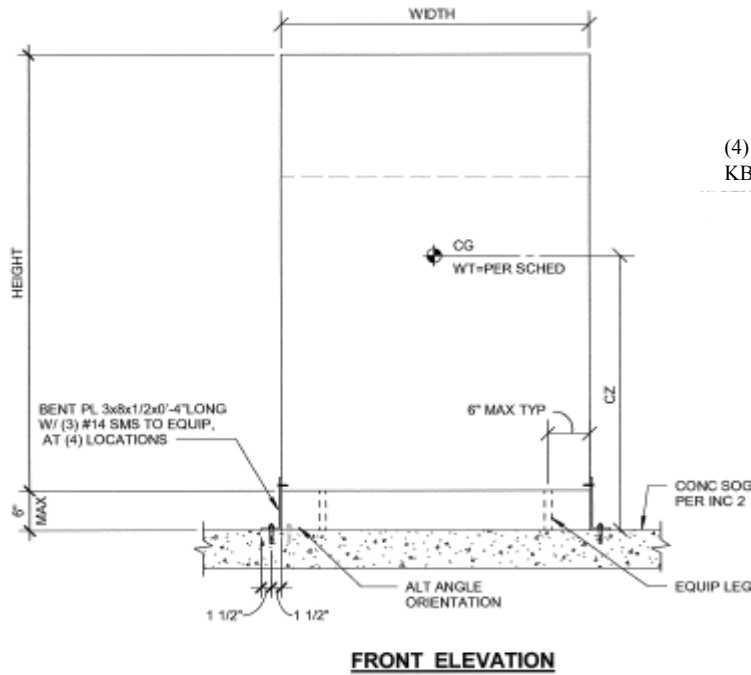
Panasonic Pro Series Refrigerators
Helmer Wheeled Refrigerators
Follet Wheeled Refrigerators

PARTS INCLUDED:

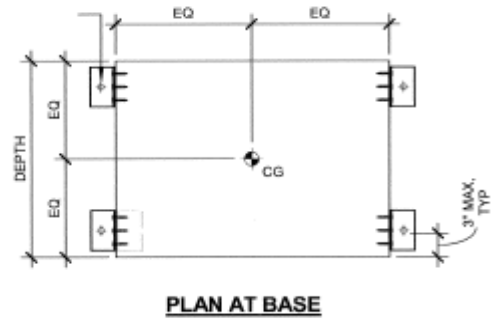
4-Bracket 83124A L 3" x 8" x 1/2" x 4" Long
4- Hilti KBTZ 1/2" x 4-1/2"
12 - #14 Hex Head Tek 2" Long

ANCHORAGE DETAIL

9.0 SEISMICCO KIT NUMBER -#LRF1005



(4) 1/2" DIA HILTI
KB-TZ W/2" EMBED



9.0 SeismicCo®

SEISMIC BRACKETS AND ANCHORING KITS

2340 W. Parkside Lane Ste. H-111
Phoenix, Arizona 85027
Office: (623)806-0156
Email: info@seismicco.com
Website: www.seismicco.com

Date: 3-20-2020

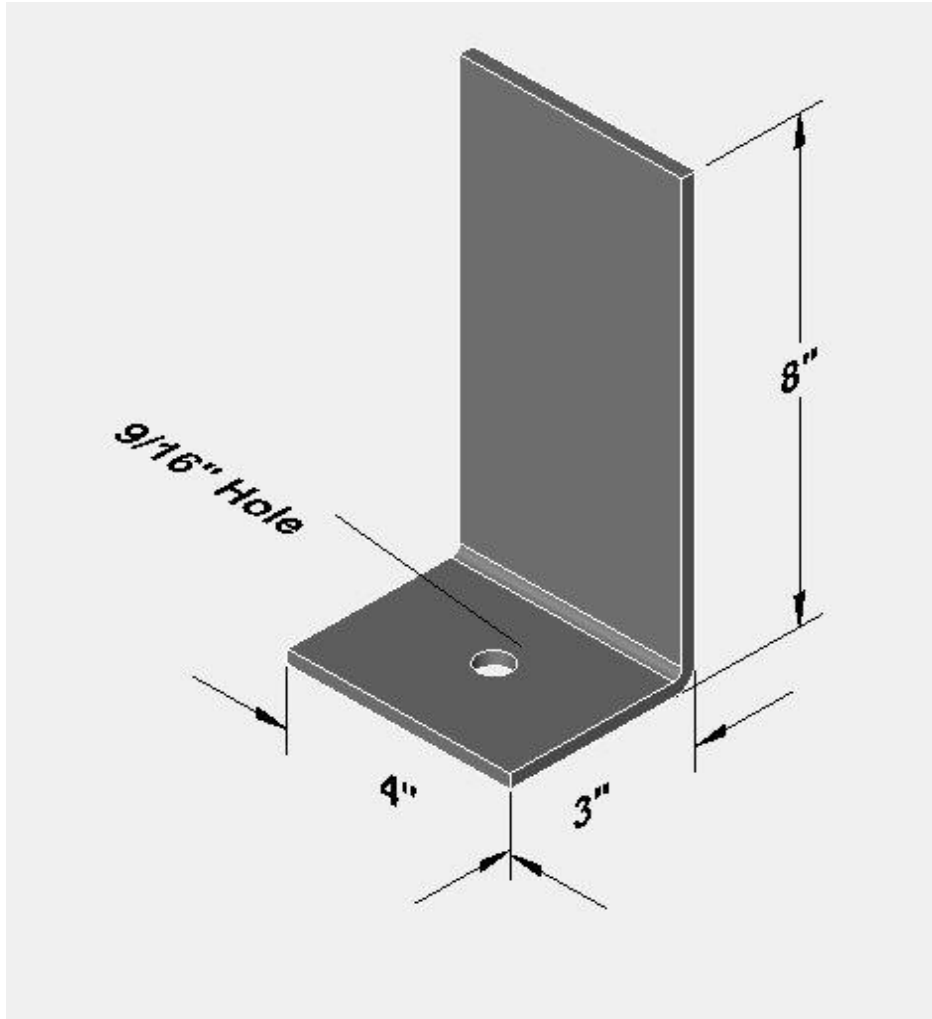
Sheet

2

of 3 Sheets

BRACKET DESCRIPTION

9.0 SEISMICCO KIT NUMBER - 384



Bracket 83124A L3" x 8" x 1/2" x 4" Long Stainless

1- 9/16" Hole Predrill for the Hilti Anchor

Drill 3 - 5/16" Holes in the field to line up with the frame of the unit.



9.0 SeismicCo[®]

SEISMIC BRACKETS AND ANCHORING KITS

2340 W. Parkside Lane Ste. H-111
Phoenix, Arizona 85027
Office: (623)806-0156
Email: info@seismicco.com
Website: www.seismicco.com

Date: 3-20-2020

Sheet

3

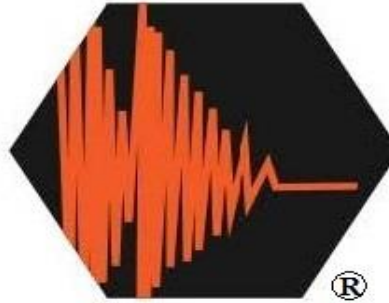
of 3 Sheets



9.0 SeismicCo®

KIT
DRWF 1004

**DOMESTIC REFRIGERATOR/FREEZER
WALL & FLOOR ANCHORING KIT**



9.0 SeismicCo®

SEISMIC BRACKETS AND ANCHORING KITS

2340 W. Parkside Lane Suite H-110
Phoenix, Arizona 85027
623-806-0156
info@seismicco.com
www.seismicco.com
Lic # 21000346-N

KIT #DRWF1004

DESCRIPTION

Domestic Refrigerator Wall & Floor Anchorage Kit



ICC-ESR-4233



Scan for a Copy of the Report



9.0 SeismicCo®

SEISMIC BRACKETS AND ANCHORING KITS

2340 W. Parkside Lane Suite H-110

Phoenix, Arizona 85027

623-806-0156

info@seismicco.com

www.seismicco.com

Lic # 21000346-N

ANCHORAGE KIT KIT #DRWF1004

DESCRIPTION SUMMARY:

Kit is for Domestic Refrigerator/Freezers

SUPPORTED EQUIPMENT:

PARTS INCLUDED:

2- L3" x 3" x 1/4" x 4" Long (9.0 SeismicCo #33144A)

2- L3" x 6" x 1/4" x 4" Long (9.0 SeismicCo #36144A)

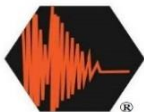
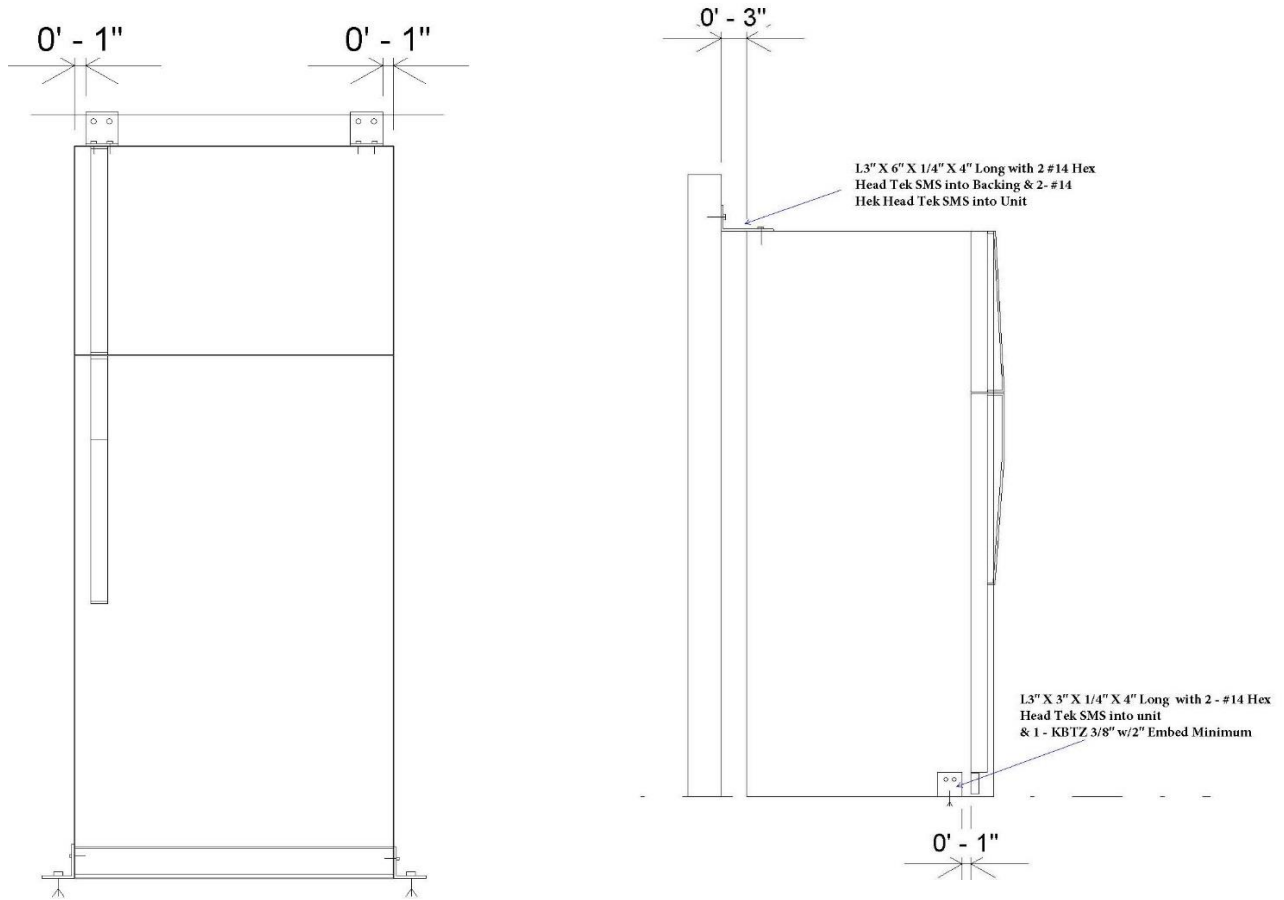
2 - Hilti KBTZ 3/8" x 3-3/4"

4 - #14 Hex Head Tek 2" Long

8 - #14 Hex Head Tek 1" Long

ANCHORAGE DETAIL

9.0 SEISMICCO KIT NUMBER - DRWF1004



9.0 SeismicCo®

SEISMIC BRACKETS AND ANCHORING KITS

2340 W. Parkside Lane Ste. H-111
Phoenix, Arizona 85027
Office: (623)806-0156
Email: info@seismicco.com
Website: www.seismicco.com

Date: 3-20-2020

Sheet

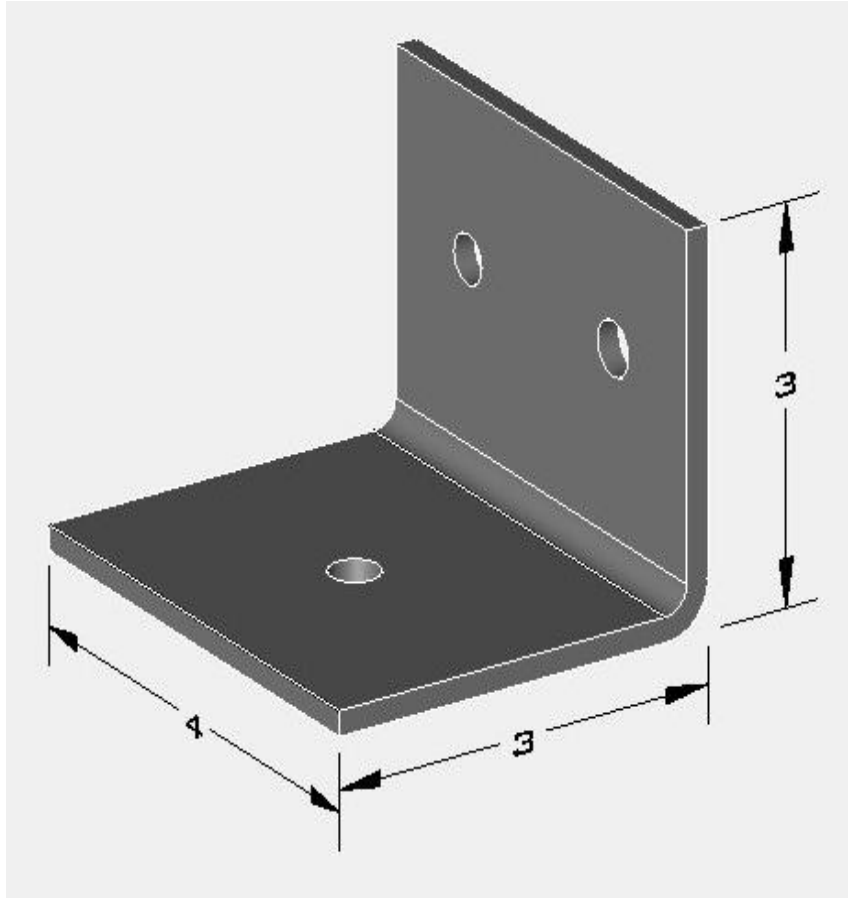
2

of 4 Sheets

BRACKET DESCRIPTION

9.0 SEISMICCO KIT NUMBER - DRWF1004

Floor Bracket



L3" X 3" X 1/4" X 4" Long
9.0 SeismicCo Bracket #33144A

1 - 7/16" Hole for 3/8" Hilti KBTZ

3 - 5/16" Hole for 14" Hex Head Tek Screws into Unit



9.0 SeismicCo[®]

SEISMIC BRACKETS AND ANCHORING KITS

2340 W. Parkside Lane Ste. H-111

Phoenix, Arizona 85027

Office: (623)806-0156

Email: info@seismicco.com

Website: www.seismicco.com

Date: 3-20-2020

Sheet

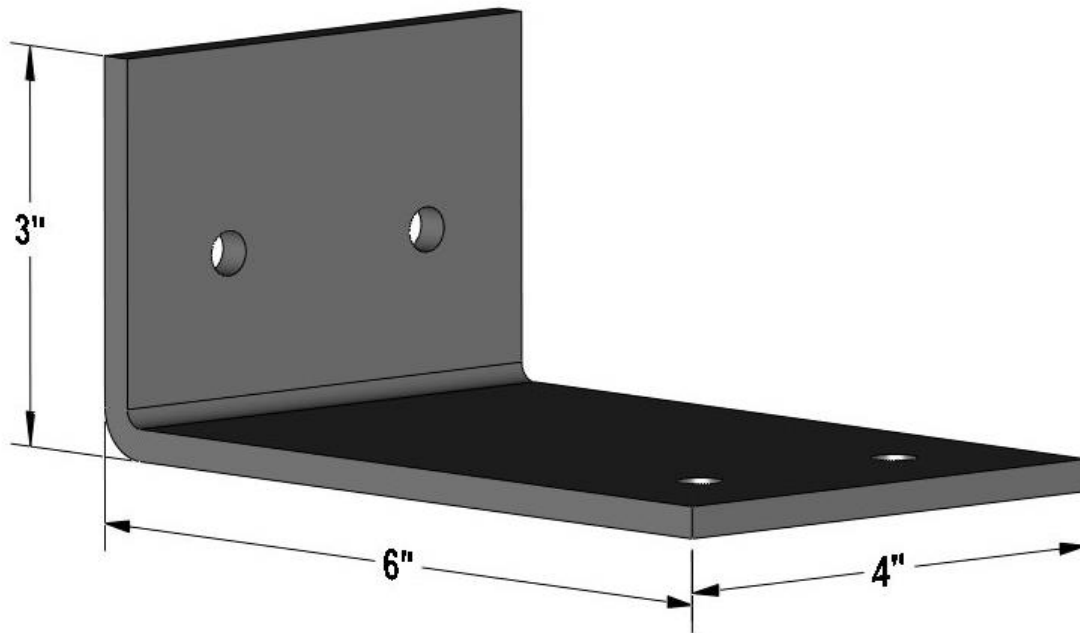
3

of 4 Sheets

BRACKET DESCRIPTION

9.0 SEISMICCO KIT NUMBER - DRWF1004

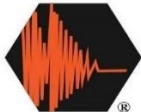
Wall Bracket



L3" X 6" X 1/4" X 4" Long

9.0SeismicCo Brakcet #36142A

2 - 5/16" Holes for #14 Hex Head Tek Screws Each Side



9.0 SeismicCo[®]

SEISMIC BRACKETS AND ANCHORING KITS

2340 W. Parkside Lane Ste. H-111

Phoenix, Arizona 85027

Office: (623)806-0156

Email: info@seismicco.com

Website: www.seismicco.com

Date: 3-20-2020

Sheet

4

of 4 Sheets