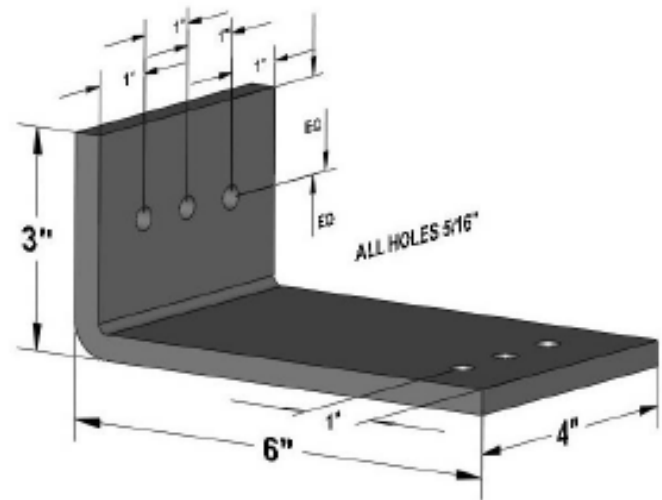




9.0 SeismicCo®

**3/8"
WALL**

9.0 SeismicCo



36384A

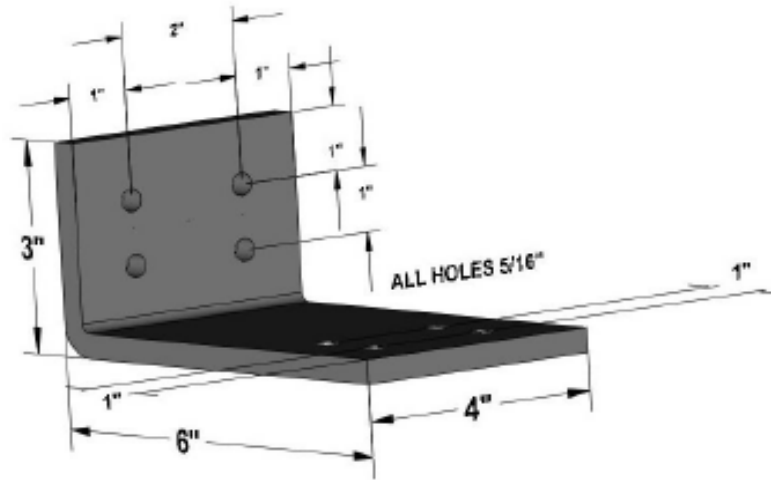
3-Hilti Kwik Flex #EAF-846

3-Hilti Kwik Flex #EAF-816

Bracket #36384A

Bracket Size				Bracket Holes		Bracket Attachment			
						Screws/Anchors Being Used			
H	W	Thick	Length	Side A	Side B	Side A	Side B		
3"	6"	3/8"	4"	3-5/16"	3-5/16"	3-#14	3-#14		
Capacity (lbs) LRFD									
Screws (into min.0.048" Thickness)									
Side A	Tension	Shear	Side B	Tension	Shear				
Wall	630	1809	Equip	630	1809				

9.0 SeismicCo

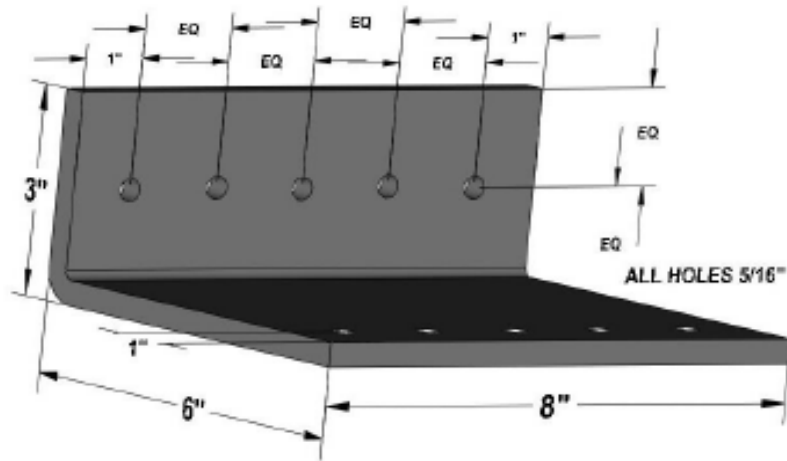


36384B **4-Hilti Kwik Flex #EAF-846**
4-Hilti Kwik Flex #EAF-816

Bracket #36384B

Bracket Size				Bracket Holes		Bracket Attachment		
						Screws/Anchors Being Used		
H	W	Thick	Length	Side A	Side B	Side A	Side B	
3"	6"	3/8"	4"	4-5/16"	4-5/16"	4-#14	4-#14	
Capacity (lbs) LRFD								
Screws (into min.0.048" Thickness)								
Side A	Tension	Shear	Side B	Tension	Shear			
Wall	840	2412	Equip	840	2412			

9.0 SeismicCo



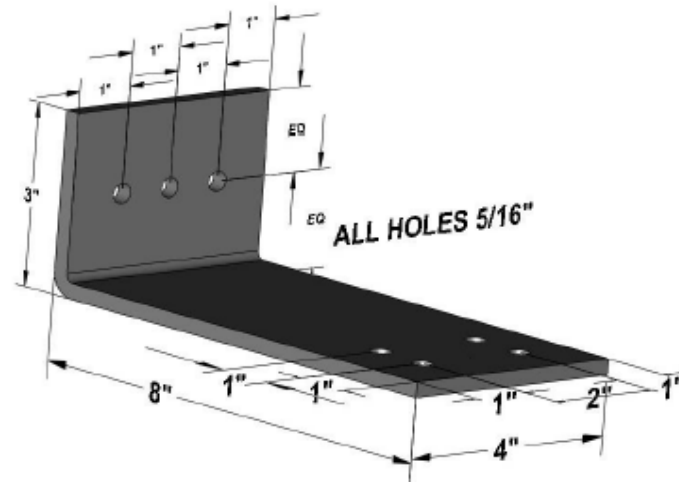
36388A

**5-Hilti Kwik Flex #EAF-846
5-Hilti Kwik Flex #EAF-816**

Bracket #36388A

Bracket Size				Bracket Holes		Bracket Attachment		
						Screws/Anchors Being Used		
H	W	Thick	Length	Side A	Side B	Side A	Side B	
3"	6"	3/8"	8"	5-5/16"	5-5/16"	5-#14	5-#15	
Capacity (lbs) LRFD								
Screws (into min.0.048" Thickness)								
Side A	Tension	Shear	Side B	Tension	Shear			
Wall	1050	3015	Equip	1050	3015			

9.0 SeismicCo



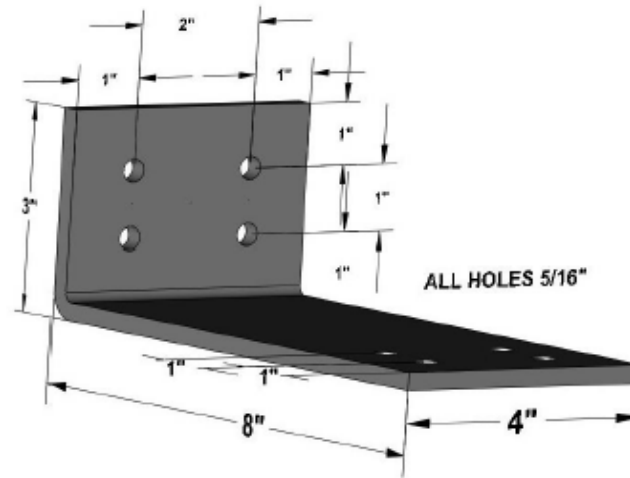
38384A

**3-Hilti Kwik Flex #EAF-846
4-Hilti Kwik Flex #EAF-816**

Bracket #38384A

Bracket Size				Bracket Holes		Bracket Attachment		
						Screws/Anchors Being Used		
H	W	Thick	Length	Side A	Side B	Side A	Side B	
3"	8"	3/8"	4"	3-5/16"	4-5/16"	3-#14	4-#14	
Capacity (lbs) LRFD								
Screws (into min.0.048" Thickness)								
Side A	Tension	Shear	Side B	Tension	Shear			
Wall	630	1809	Equip	840	2412			

9.0 SeismicCo



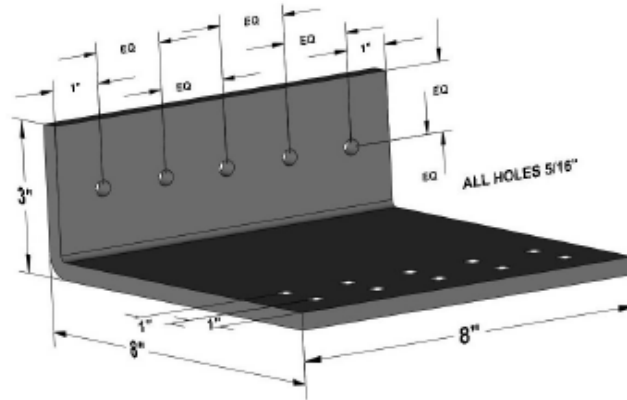
38384B

**4-Hilti Kwik Flex #EAF-846
4-Hilti Kwik Flex #EAF-816**

Bracket #38384B

Bracket Size				Bracket Holes		Bracket Attachment		
						Screws/Anchors Being Used		
H	W	Thick	Length	Side A	Side B	Side A	Side B	
3"	8"	3/8"	4"	4-5/16"	4-5/16"	4-#14	4-#14	
Capacity (lbs) LRFD								
Screws (into min.0.048" Thickness)								
Side A	Tension	Shear	Side B	Tension	Shear			
Wall	840	2412	Equip	840	2412			

9.0 SeismicCo



38388A

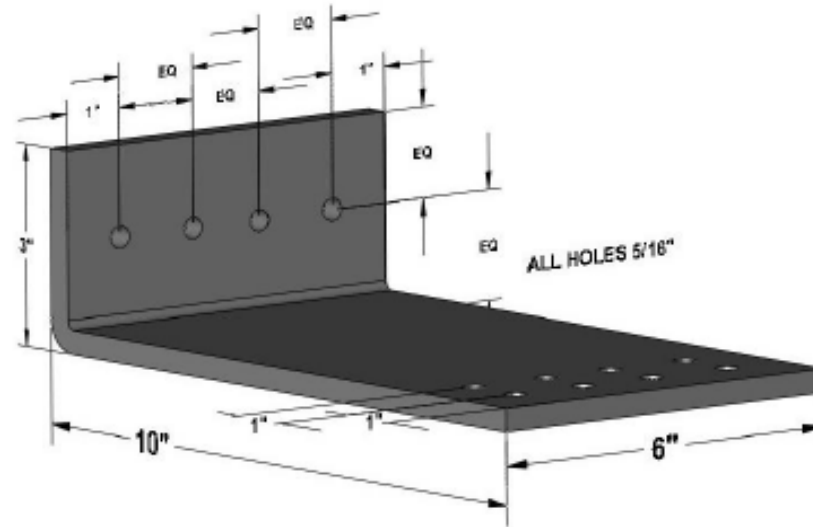
5-Hilti Kwik Flex #EAF-846

10-Hilti Kwik Flex #EAF-816

Bracket #38388A

Bracket Size				Bracket Holes		Bracket Attachment		
						Screws/Anchors Being Used		
H	W	Thick	Length	Side A	Side B	Side A	Side B	
3"	8"	3/8"	8"	5-5/16"	10-5/16"	5-#14	10-#14	
Capacity (lbs) LRFD								
Screws (into min.0.048" Thickness)								
Side A	Tension	Shear	Side B	Tension	Shear			
Wall	1050	3015	Equip	2100	6030			

9.0 SeismicCo



310386A

4-Hilti Kwik Flex #EAF-846

8-Hilti Kwik Flex #EAF-816

Bracket #310386A

Bracket Size				Bracket Holes		Bracket Attachment		
						Screws/Anchors Being Used		
H	W	Thick	Length	Side A	Side B	Side A	Side B	
3"	10"	3/8"	6"	4-5/16"	8-5/16"	4-#14	8-#14	
Capacity (lbs) LRFD								
Screws (into min.0.048" Thickness)								
Side A	Tension	Shear	Side B	Tension	Shear			
Wall	840	2412	Equip	1680	4824			