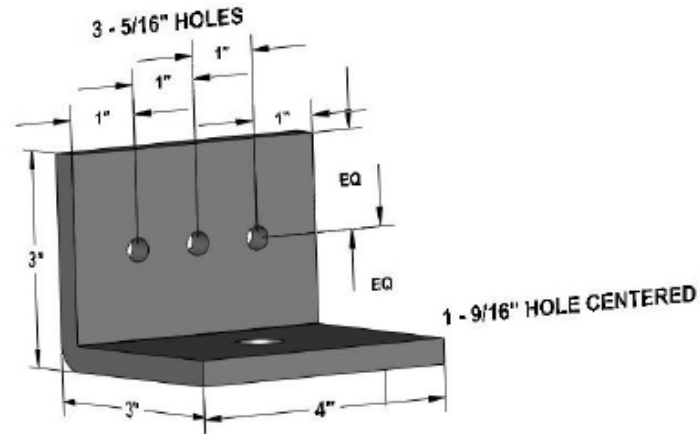




9.0 SeismicCo®

**3/8"
FLOOR**

9.0 SeismicCo



#33384A

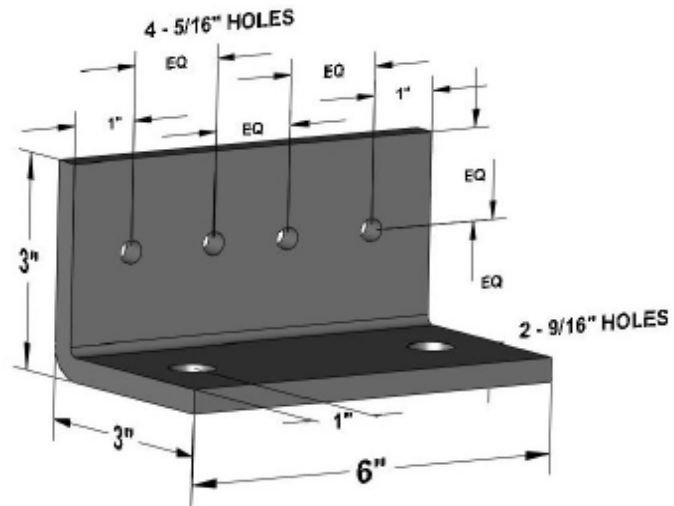
3-Hilti Kwik Flex #EAF-816

1 - Hilti KBTZ 1/2" x 3-3/4"

Bracket #33384A

Bracket Size				Bracket Holes		Bracket Attachment		
						Screws/Anchors Being Used		
H	W	Thick	Length	Side A	Side B	Side A	Side B	
3"	3"	3/8"	4	3-5/16"	1-9/16"	3-#14	1-1/2" Hilti	
Capacity (lbs) LRFD								
Screws (into min.0.048" Thickness)			Anchors		Over 4" Concrete		Conc Over Metal Deck	
Side A	Tension		Shear	Side B	Tension	Shear	Tension	Shear
Equip	630		1809	Conc	1000	1322	370	500

9.0 SeismicCo



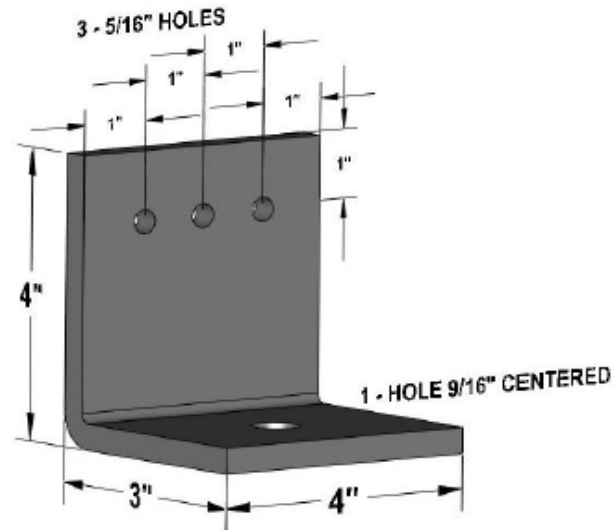
33386A

**4-Hilti Kwik Flex #EAF-816
2 - Hilti KBTZ 1/2" x 3-3/4"**

Bracket #33386A

Bracket Size				Bracket Holes		Bracket Attachment		
						Screws/Anchors Being Used		
H	W	Thick	Length	Side A	Side B	Side A	Side B	
3"	3"	3/8"	6"	4-5/16"	2-9/16"	4-#14	2-1/2" Hilti	
Capacity (lbs) LRFD								
Screws (into min.0.048" Thickness)			Anchors		Over 4" Concrete		Conc Over Metal Deck	
Side A	Tension		Shear	Side B	Tension	Shear	Tension	Shear
Equip	840		2412	Conc	1275	2552	670	1100

9.0 SeismicCo



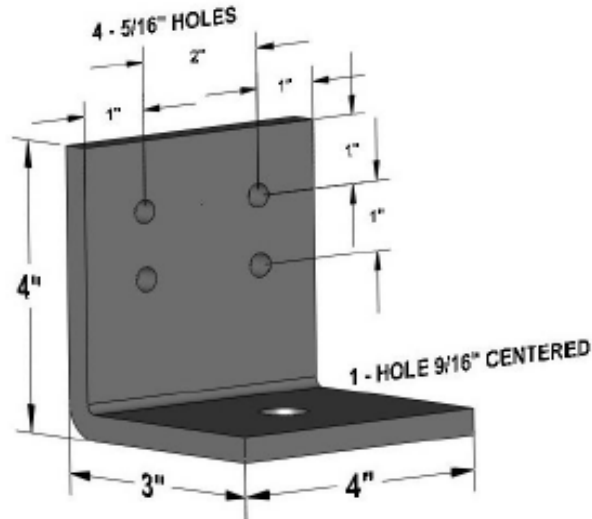
43384A

**3-Hilti Kwik Flex #EAF-816
1 - Hilti KBTZ 1/2" x 3-3/4"**

Bracket #43384A

Bracket Size				Bracket Holes		Bracket Attachment		
						Screws/Anchors Being Used		
H	W	Thick	Length	Side A	Side B	Side A	Side B	
4"	3"	3/8"	4"	3-5/16"	1-9/16"	3-#14	1-1/2" Hilti	
Capacity (lbs) LRFD								
Screws (into min.0.048" Thickness)			Anchors		Over 4" Concrete		Conc Over Metal Deck	
Side A	Tension		Shear	Side B	Tension	Shear	Tension	Shear
Equip	630		1809	Conc	1000	1322	370	500

9.0 SeismicCo



43384B

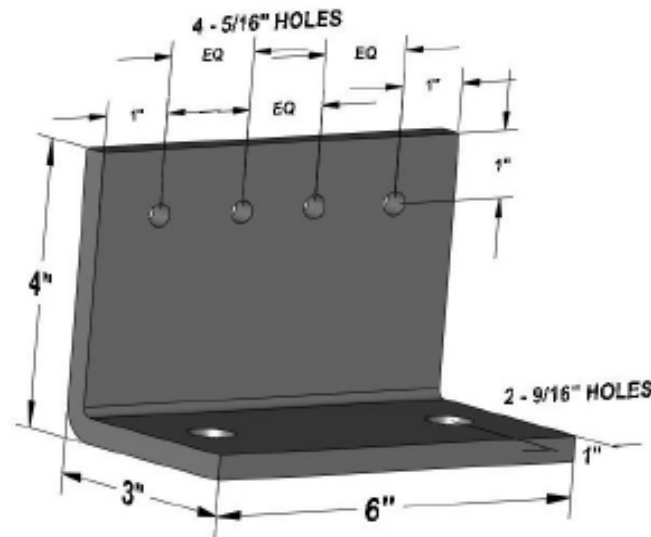
4-Hilti Kwik Flex #EAF-816

1 - Hilti KBTZ 1/2" x 3-3/4"

Bracket #43384B

Bracket Size				Bracket Holes		Bracket Attachment		
						Screws/Anchors Being Used		
H	W	Thick	Length	Side A	Side B	Side A	Side B	
4	3"	3/8"	4"	4-5/16"	1-9/16"	4-#14	1-1/2" Hilti	
Capacity (lbs) LRFD								
Screws (into min.0.048" Thickness)			Anchors		Over 4" Concrete		Conc Over Metal Deck	
Side A	Tension		Shear	Side B	Tension	Shear	Tension	Shear
Equip	840		2412	Conc	1000	1322	370	500

9.0 SeismicCo



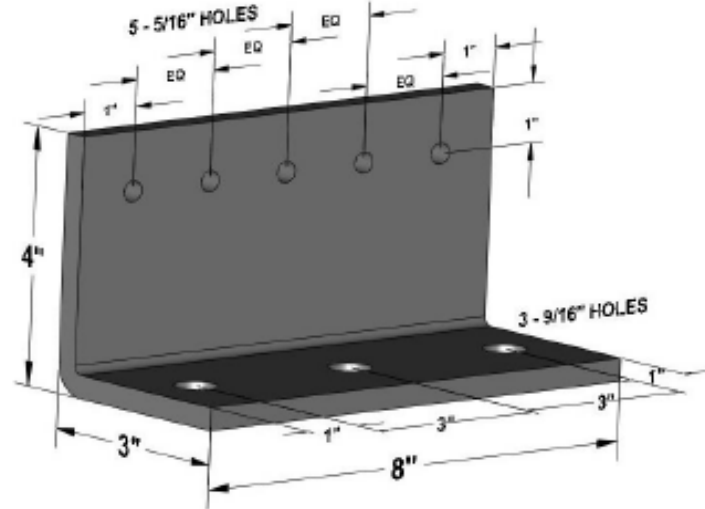
43386A

**4-Hilti Kwik Flex #EAF-816
2 - Hilti KBTZ 1/2" x 3-3/4"**

Bracket #43386A

Bracket Size				Bracket Holes		Bracket Attachment			
						Screws/Anchors Being Used			
H	W	Thick	Length	Side A	Side B	Side A	Side B		
4"	3"	3/8"	6	4-5/16"	2-9/16"	4-#14	2-1/2" Hilti		
Capacity (lbs) LRFD									
Screws (into min.0.048" Thickness)			Anchors		Over 4" Concrete		Conc Over Metal Deck		
Side A	Tension		Shear	Side B	Tension		Shear	Tension	Shear
Equip	840		2412	Conc	1275		2552	670	1100

9.0 SeismicCo



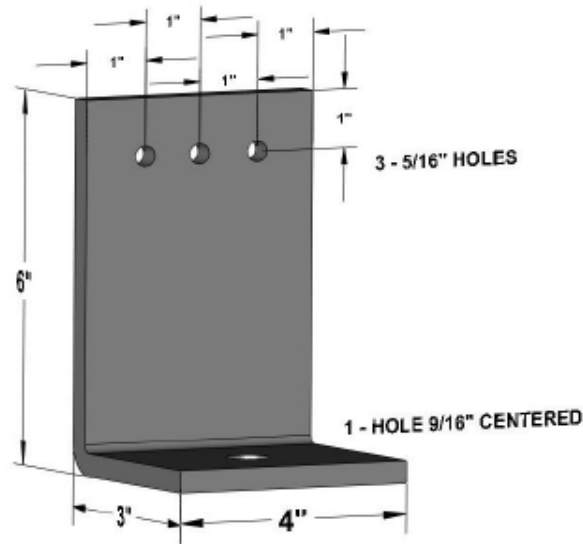
43388A

**5-Hilti Kwik Flex #EAF-816
3 - Hilti KBTZ 1/2" x 3-3/4"**

Bracket #43388A

Bracket Size				Bracket Holes		Bracket Attachment			
						Screws/Anchors Being Used			
H	W	Thick	Length	Side A	Side B	Side A	Side B		
4"	3"	3/8"	8"	5-5/16"	3-9/16"	5-#14	3-1/2" Hilti		
Capacity (lbs) LRFD									
Screws (into min.0.048" Thickness)			Anchors		Over 4" Concrete		Conc Over Metal Deck		
Side A	Tension		Shear	Side B	Tension		Shear	Tension	Shear
Equip	1050		3015	Conc	1400		3150	750	1240

9.0 SeismicCo



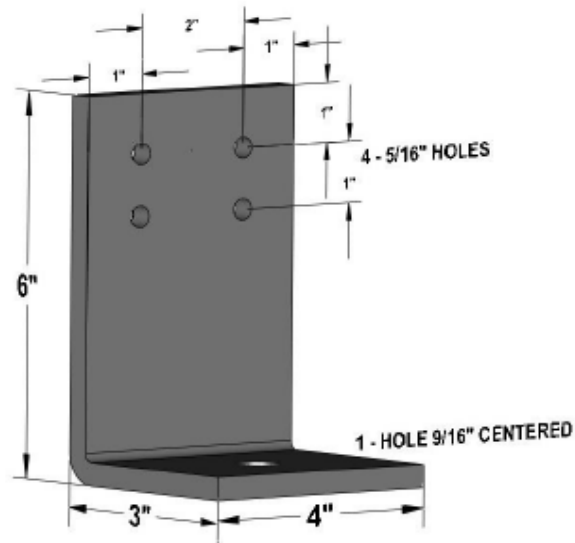
63384A

**3-Hilti Kwik Flex #EAF-816
1 - Hilti KBTZ 1/2" x 3-3/4"**

Bracket #63384A

Bracket Size				Bracket Holes		Bracket Attachment			
						Screws/Anchors Being Used			
H	W	Thick	Length	Side A	Side B	Side A	Side B		
6"	3"	3/8"	4"	3-5/16"	1-9/16"	3-#14	1-1/2" Hilti		
Capacity (lbs) LRFD									
Screws (into min.0.048" Thickness)			Anchors		Over 4" Concrete		Conc Over Metal Deck		
Side A	Tension		Shear	Side B	Tension		Shear	Tension	Shear
Equip	630		1809	Conc	1000		1322	370	500

9.0 SeismicCo

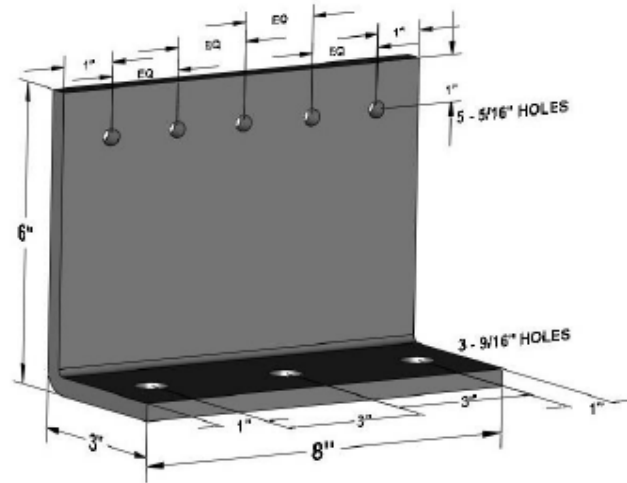


63384B **4-Hilti Kwik Flex #EAF-816**
1 - Hilti KBTZ 1/2" x 3-3/4"

Bracket #63384B

Bracket Size				Bracket Holes		Bracket Attachment		
						Screws/Anchors Being Used		
H	W	Thick	Length	Side A	Side B	Side A	Side B	
6"	3"	3/8"	4"	4-5/16"	1-9/16"	4-#14	1-1/2" Hilti	
Capacity (lbs) LRFD								
			Anchors		Over 4" Concrete		Conc Over Metal Deck	
Side A	Tension	Shear	Side B	Tension	Shear	Tension	Shear	
Equip	840	2412	Conc	1000	1200	370	500	

9.0 SeismicCo



63388A

5-Hilti Kwik Flex #EAF-816

3- Hilti KBTZ 1/2" x 3-3/4"

Bracket #63388A

Bracket Size				Bracket Holes		Bracket Attachment		
						Screws/Anchors Being Used		
H	W	Thick	Length	Side A	Side B	Side A	Side B	
6"	3"	3/8"	8	5-5/16"	3-9/16"	5-#14	3-1/2" Hilti	
Capacity (lbs) LRFD								
Screws (into min.0.048" Thickness)			Anchors		Over 4" Concrete		Conc Over Metal Deck	
Side A	Tension		Shear	Side B	Tension	Shear	Tension	Shear
Equip	1050		3015	Conc	1400	3150	750	1240