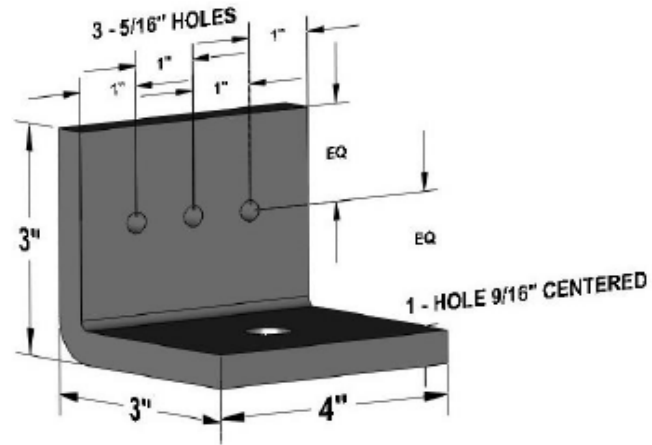




9.0 SeismicCo®

1/2"
FLOOR

9.0 SeismicCo



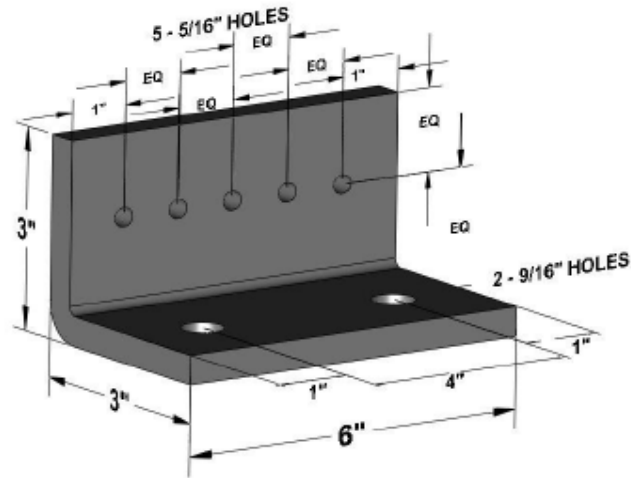
#33124A

**3-Hilti Kwik Flex #EAF-816
1 - Hilti KBTZ 1/2" x 3-3/4"**

Bracket #33124A

Bracket Size				Bracket Holes		Bracket Attachment		
						Screws/Anchors Being Used		
H	W	Thick	Length	Side A	Side B	Side A	Side B	
3"	3"	1/2"	4"	3-5/16"	1-9/16"	3-#14	1-1/2" Hilti	
Capacity (lbs) LRFD								
Screws (into min.0.048" Thickness)			Anchors		Over 4" Concrete		Conc Over Metal Deck	
Side A	Tension		Shear	Side B	Tension	Shear	Tension	Shear
Equip	630		1809	Conc	1000	1322	370	500

9.0 SeismicCo

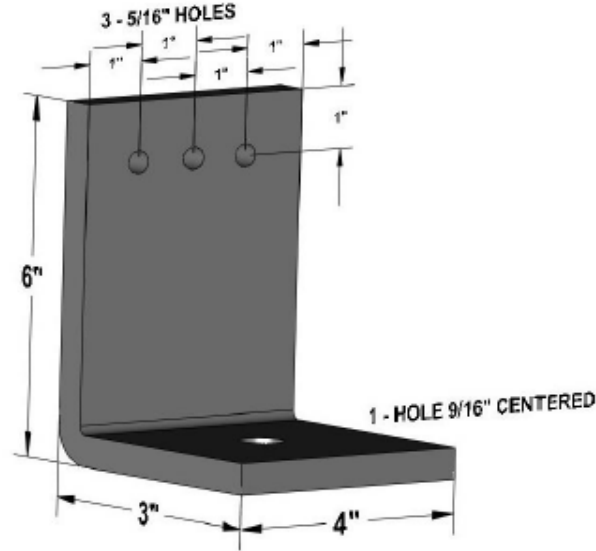


#33126A **5-Hilti Kwik Flex #EAF-816**
2 - Hilti KBTZ 1/2" x 3-3/4"

Bracket #33126A

Bracket Size				Bracket Holes		Bracket Attachment		
						Screws/Anchors Being Used		
H	W	Thick	Length	Side A	Side B	Side A	Side B	
3"	3"	1/2"	6"	5-5/16"	2-9/16"	5-#14	2-1/2" Hilti	
Capacity (lbs) LRFD								
Screws (into min.0.048" Thickness)			Anchors		Over 4" Concrete		Conc Over Metal Deck	
Side A	Tension		Shear	Side B	Tension	Shear	Tension	Shear
Equip	1050		3015	Conc	1275	2552	670	1100

9.0 SeismicCo

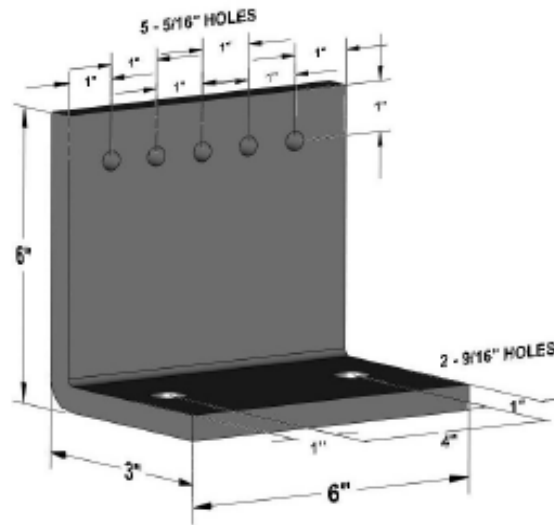


#63124A **3-Hilti Kwik Flex #EAF-816**
1 - Hilti KBTZ 1/2" x 3-3/4"

Bracket #63124A

Bracket Size				Bracket Holes		Bracket Attachment			
						Screws/Anchors Being Used			
H	W	Thick	Length	Side A	Side B	Side A	Side B		
6'	3"	1/2"	4"	3-5/16"	1-9/16"	3-#14	1-1/2" Hilti		
Capacity (lbs) LRFD									
Screws (into min.0.048" Thickness)			Anchors		Over 4" Concrete		Conc Over Metal Deck		
Side A	Tension		Shear	Side B	Tension		Shear	Tension	Shear
Equip	630		1809	Conc	1000		1322	370	500

9.0 SeismicCo



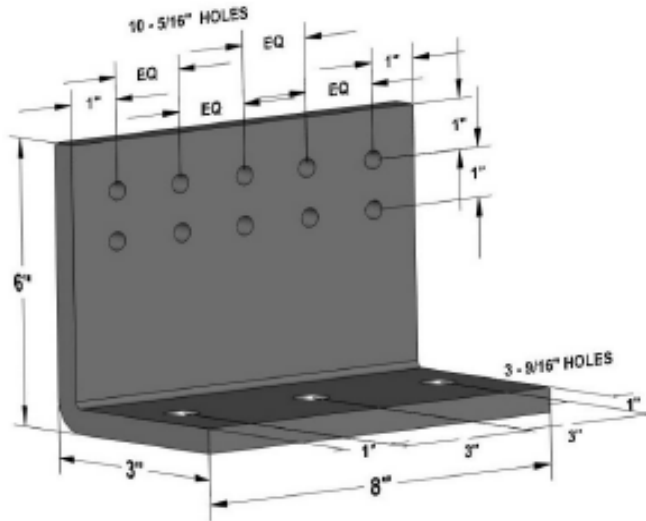
63126A

**5-Hilti Kwik Flex #EAF-816
2 - Hilti KBTZ 1/2" x 3-3/4"**

Bracket #63126A

Bracket Size				Bracket Holes		Bracket Attachment			
						Screws/Anchors Being Used			
H	W	Thick	Length	Side A	Side B	Side A	Side B		
6"	3"	1/2"	6"	5-5/16"	2-9/16"	5-#14	2-1/2" Hilti		
Capacity (lbs) LRFD									
Screws (into min.0.048" Thickness)			Anchors		Over 4" Concrete		Conc Over Metal Deck		
Side A	Tension		Shear	Side B	Tension		Shear	Tension	Shear
Equip	1050		3015	Conc	1275		2552	670	1000

9.0 SeismicCo

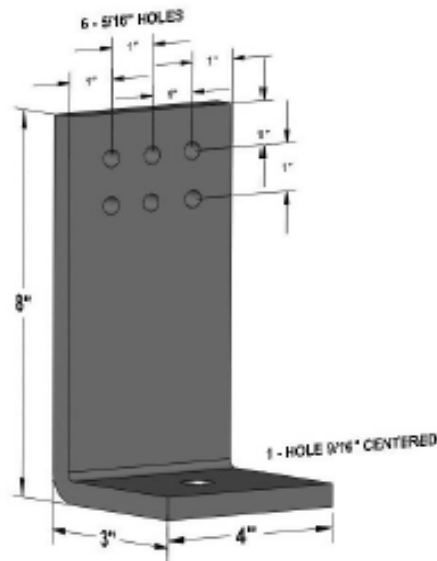


63128A **10-Hilti Kwik Flex #EAF-816**
3 - Hilti KBTZ 1/2" x 3-3/4"

Bracket #63128A

Bracket Size				Bracket Holes		Bracket Attachment			
						Screws/Anchors Being Used			
H	W	Thick	Length	Side A	Side B	Side A	Side B		
6"	3"	1/2"	8"	10-5/16"	3-9/16"	10-#14	3-1/2" Hilti		
Capacity (lbs) LRFD									
Screws (into min.0.048" Thickness)			Anchors		Over 4" Concrete		Conc Over Metal Deck		
Side A	Tension		Shear	Side B	Tension		Shear	Tension	Shear
Equip	2100		6030	Conc	1400		3150	750	1240

9.0 SeismicCo



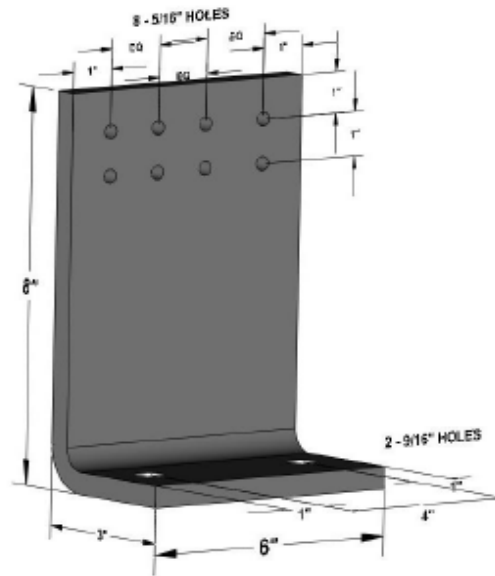
83124A

**6-Hilti Kwik Flex #EAF-816
1 - Hilti KBTZ 1/2" x 3-3/4"**

Bracket #83124A

Bracket Size				Bracket Holes		Bracket Attachment		
						Screws/Anchors Being Used		
H	W	Thick	Length	Side A	Side B	Side A	Side B	
8"	3"	1/2"	4"	6-5/16"	1-9/16"	6-#14	1-1/2" Hilti	
Capacity (lbs) LRFD								
Screws (into min.0.048" Thickness)			Anchors		Over 4" Concrete		Conc Over Metal Deck	
Side A	Tension		Shear	Side B	Tension	Shear	Tension	Shear
Equip	1260		3618	Conc	1000	1322	370	500

9.0 SeismicCo



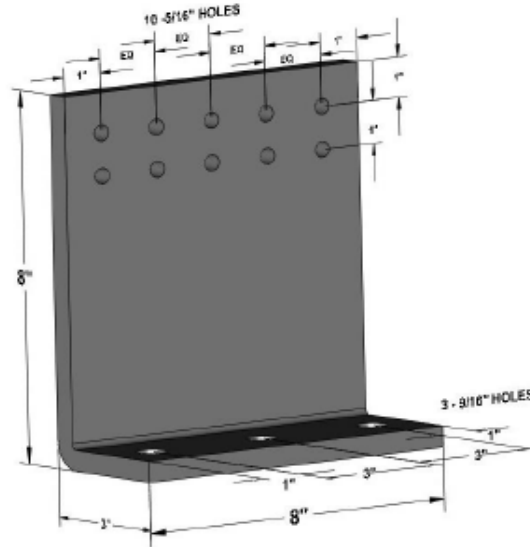
83126A

**8-Hilti Kwik Flex #EAF-816
2 - Hilti KBTZ 1/2" x 3-3/4"**

Bracket #83126A

Bracket Size				Bracket Holes		Bracket Attachment			
						Screws/Anchors Being Used			
H	W	Thick	Length	Side A	Side B	Side A	Side B		
8"	3"	1/2"	6"	8-5/16"	2-9/16"	8-#14	2-1/2" Hilti		
Capacity (lbs) LRFD									
Screws (into min.0.048" Thickness)			Anchors		Over 4" Concrete		Conc Over Metal Deck		
Side A	Tension		Shear	Side B	Tension		Shear	Tension	Shear
Equip	840		2412	Conc	1275		2552	670	1000

9.0 SeismicCo



83128A **10-Hilti Kwik Flex #EAF-816**
3 - Hilti KBTZ 1/2" x 3-3/4"

Bracket #83128A

Bracket Size				Bracket Holes		Bracket Attachment		
						Screws/Anchors Being Used		
H	W	Thick	Length	Side A	Side B	Side A	Side B	
8"	3"	1/2"	8"	10-5/16"	3-9/16"	10-#14	3-1/2" Hilti	
Capacity (lbs) LRFD								
Screws (into min.0.048" Thickness)			Anchors		Over 4" Concrete		Conc Over Metal Deck	
Side A	Tension		Shear	Side B	Tension	Shear	Tension	Shear
Equip	2100		3015	Conc	1400	3150	750	1240