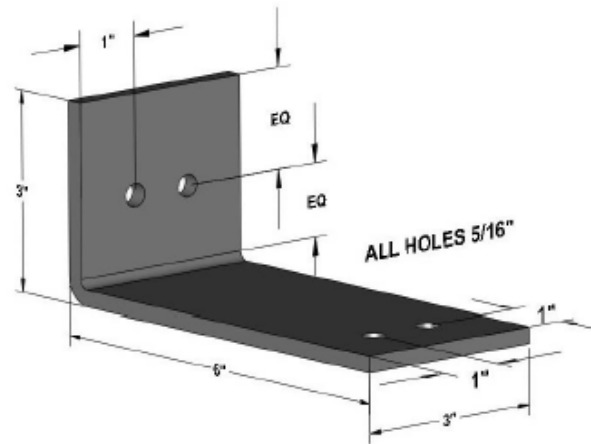




9.0 SeismicCo®

**1/4"
WALL**

9.0 SeismicCo



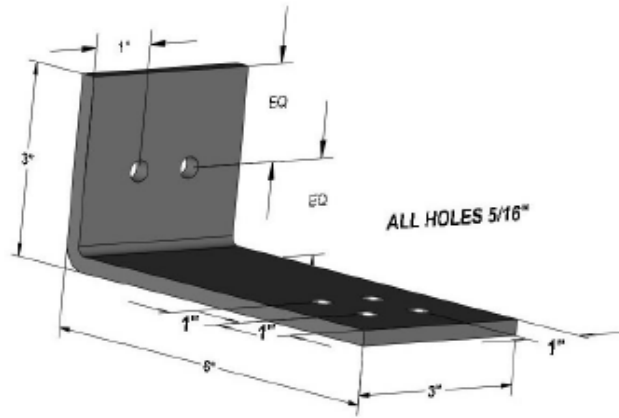
36143A

**2-Hilti Kwik Flex #EAF-846
2-Hilti Kwik Flex #EAF-816**

Bracket #36143A

Bracket Size				Bracket Holes		Bracket Attachment		
						Screws/Anchors Being Used		
H	W	Thick	Length	Side A	Side B	Side A	Side B	
3"	6	1/4"	3"	2-5/16"	2-5/16"	2-#14	2-#14	
Capacity (lbs) LRFD								
Screws (into min.0.048" Thickness)								
Side A	Tension		Shear	Side B	Tension		Shear	
Wall	420		1206	Equip	420		1206	

9.0 SeismicCo

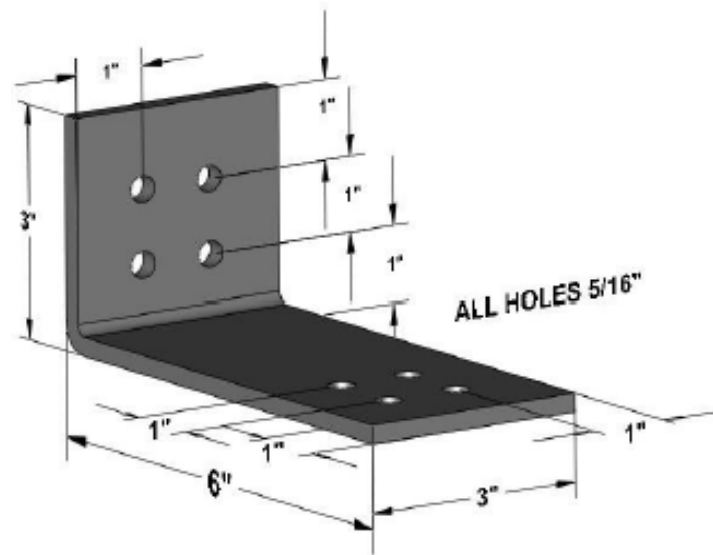


36143B **2-Hilti Kwik Flex #EAF-846**
4-Hilti Kwik Flex #EAF-816

Bracket #36143B

Bracket Size				Bracket Holes		Bracket Attachment		
						Screws/Anchors Being Used		
H	W	Thick	Length	Side A	Side B	Side A	Side B	
3"	3"	1/4"	3"	2-5/16"	4-5/16"	2-#14	4-#14	
Capacity (lbs) LRFD								
Screws (into min.0.048" Thickness)								
Side A	Tension	Shear	Side B	Tension	Shear			
Wall	420	1206	Equip	840	2412			

9.0 SeismicCo



36143C

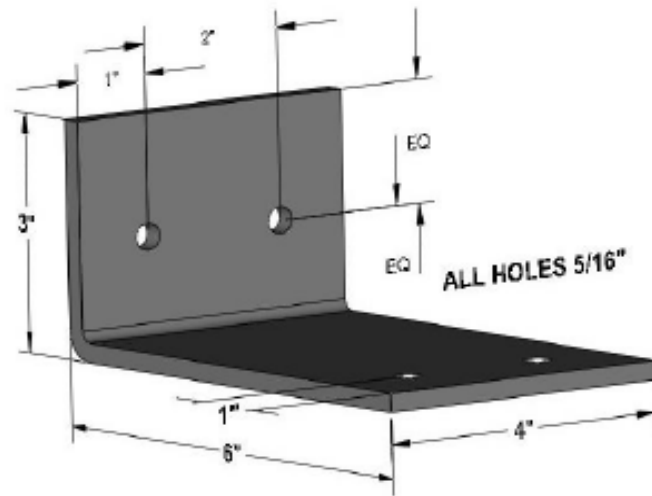
4-Hilti Kwik Flex #EAF-846

4-Hilti Kwik Flex #EAF-816

Bracket #36143C

Bracket Size				Bracket Holes		Bracket Attachment			
						Screws/Anchors Being Used			
H	W	Thick	Length	Side A	Side B	Side A	Side B		
3"	6"	1/4"	3"	4-5/16"	4-5/16"	4-#14	4-#14		
Capacity (lbs) LRFD									
Screws (into min.0.048" Thickness)									
Side A	Tension	Shear	Side B	Tension	Shear				
Wall	840	2412	Equip	840	2412				

9.0 SeismicCo



36144A

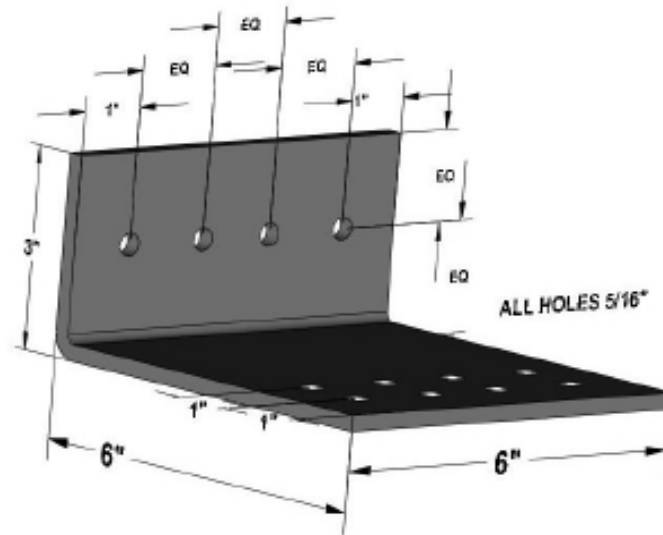
2-Hilti Kwik Flex #EAF-846

2-Hilti Kwik Flex #EAF-816

Bracket #36144A

Bracket Size				Bracket Holes		Bracket Attachment		
						Screws/Anchors Being Used		
H	W	Thick	Length	Side A	Side B	Side A	Side B	
3"	6"	1/4"	4"	2-5/16"	2-5/16"	2-#14	2-#14	
Capacity (lbs) LRFD								
Screws (into min.0.048" Thickness)								
Side A	Tension	Shear	Side B	Tension	Shear			
Wall	420	1206	Equip	420	1206			

9.0 SeismicCo



36146A

4-Hilti Kwik Flex #EAF-846

8-Hilti Kwik Flex #EAF-816

Bracket #36146A

Bracket Size				Bracket Holes		Bracket Attachment		
						Screws/Anchors Being Used		
H	W	Thick	Length	Side A	Side B	Side A	Side B	
3"	6"	1/4"	6"	4-5/16"	8-5/16"	4-#14	8-#14	
Capacity (lbs) LRFD								
Screws (into min.0.048" Thickness)								
Side A	Tension	Shear	Side B	Tension	Shear			
Wall	840	2412	Equip	1680	4824			