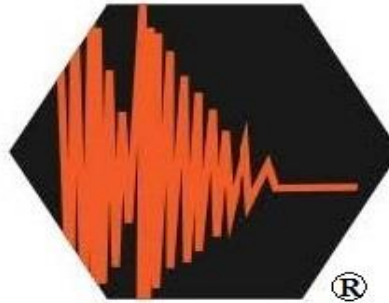




**9.0 SeismicCo®**

**KIT**  
**LRF1005**

**LARGE LAB REFRIGERATOR/FREEZER  
FLOOR ANCHORING KIT**



# 9.0 SeismicCo®

SEISMIC BRACKETS AND ANCHORING KITS

---

2340 W. Parkside Lane Suite H-110  
Phoenix, Arizona 85027  
623-806-0156  
info@seismicco.com  
www.seismicco.com  
Lic # 21000346-N

---

**KIT #LRF1005**

## DESCRIPTION

**Lab Freezer Floor anchorage Kit**



**ICC-ESR-4233**



Scan for a Copy of the Report



# 9.0 SeismicCo®

## SEISMIC BRACKETS AND ANCHORING KITS

2340 W. Parkside Lane Suite H-110  
Phoenix, Arizona 85027  
623-806-0156  
info@seismicco.com  
www.seismicco.com  
Lic # 21000346-N

---

### ANCHORAGE KIT KIT #LRF1005

#### DESCRIPTION SUMMARY:

**Kit is for large Lab Freezer units**

#### SUPPORTED EQUIPMENT:

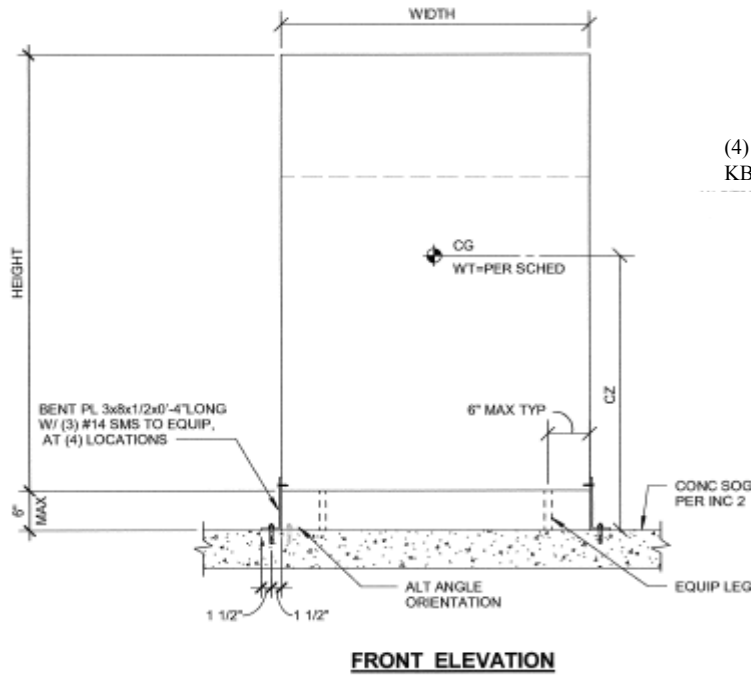
Panasonic Pro Series Refrigerators  
Helmer Wheeled Refrigerators  
Follet Wheeled Refrigerators

#### PARTS INCLUDED:

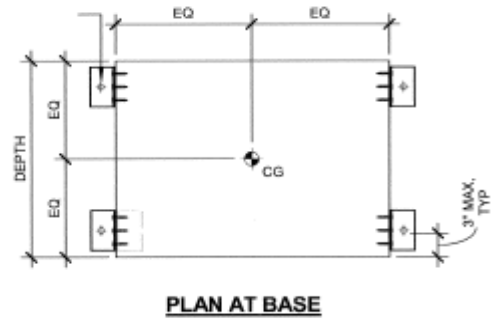
**4-Bracket 83124A L 3" x 8" x 1/2" x 4" Long**  
**4- Hilti KBTZ 1/2" x 4-1/2"**  
**12 - #14 Hex Head Tek 2" Long**

# ANCHORAGE DETAIL

9.0 SEISMICCO KIT NUMBER -#LRF1005



(4) 1/2" DIA HILTI  
KB-TZ W/2" EMBED



2340 W. Parkside Lane Ste. H-111  
Phoenix, Arizona 85027  
Office: (623)806-0156  
Email: info@seismicco.com  
Website: www.seismicco.com

Date: 3-20-2020

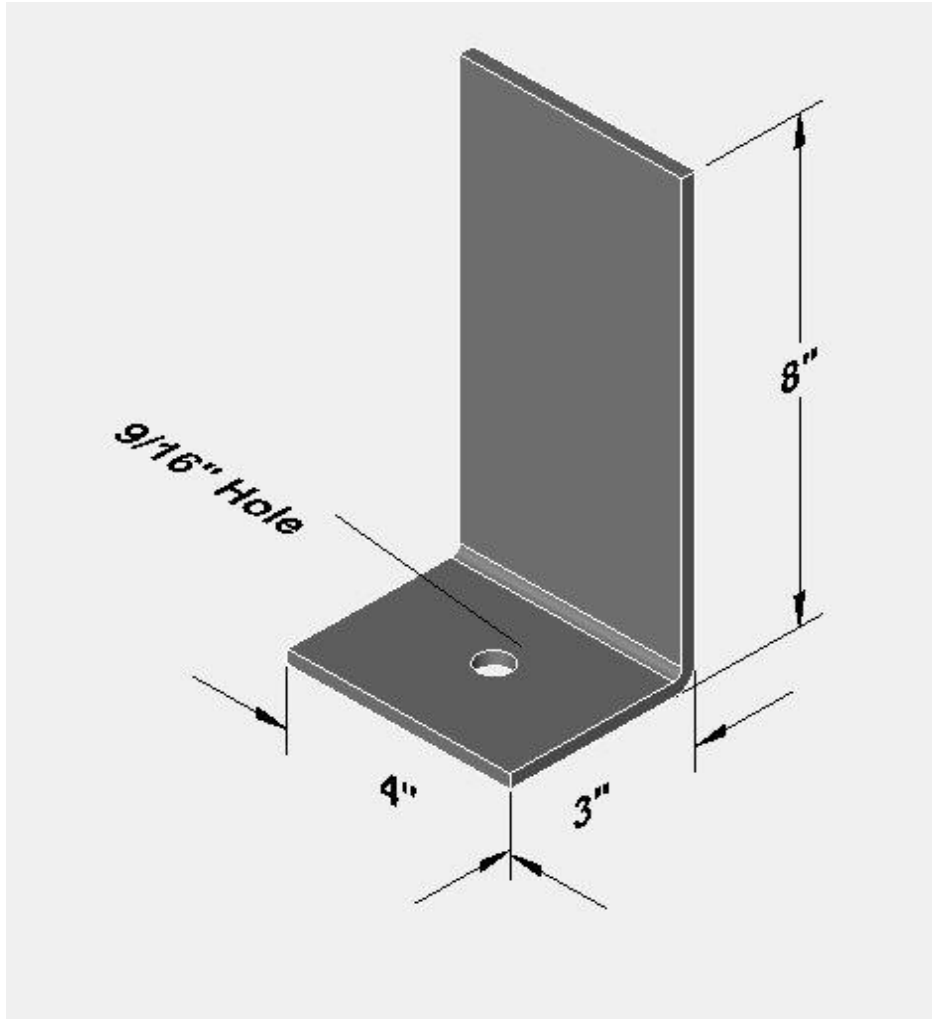
Sheet

2

of 3 Sheets

# BRACKET DESCRIPTION

9.0 SEISMICCO KIT NUMBER - 384



Bracket 83124A L3" x 8" x 1/2" x 4" Long Stainless

1- 9/16" Hole Predrill for the Hilti Anchor

Drill 3 - 5/16" Holes in the field to line up with the frame of the unit.



**9.0 SeismicCo**<sup>®</sup>

SEISMIC BRACKETS AND ANCHORING KITS

2340 W. Parkside Lane Ste. H-111  
Phoenix, Arizona 85027  
Office: (623)806-0156  
Email: [info@seismicco.com](mailto:info@seismicco.com)  
Website: [www.seismicco.com](http://www.seismicco.com)

Date: 3-20-2020

Sheet

**3**

of 3 Sheets