



**9.0 SeismicCo®**

---

**KIT**  
**KBL1001**

**LEVELING LEG CAPTURE KIT**



# 9.0 SeismicCo®

SEISMIC BRACKETS AND ANCHORING KITS

2340 W. Parkside Lane Suite H-111  
Phoenix, Arizona 85027  
623-806-0156  
info@seismicco.com  
www.seismicco.com  
Lic # 21000346-N



## KIT #KBL1001

### KIRBY LESTER KL100, KL108 & KL160 LEVELING LEG CAPTURE ANCHORAGE KIT



ICC-ESR-4233



Scan for a Copy of the Report



# 9.0 SeismicCo®

SEISMIC BRACKETS AND ANCHORING KITS

2340 W. Parkside Lane Suite H-111  
Phoenix, Arizona 85027  
623-806-0156  
info@seismicco.com  
www.seismicco.com  
Lic: # 21000346-N

---

## ANCHORAGE KIT

KIT #KBL1001

---

### DESCRIPTION SUMMARY:

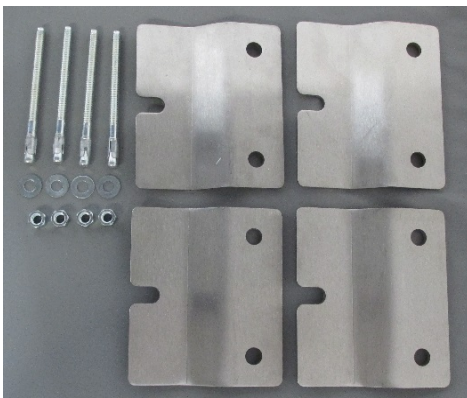
- Leveling leg capture anchorage
- Secured by capturing the leveling foot. No screws to equipment.

### SUPPORTED EQUIPMENT:

- **Kirby Lester Models: KL100, KL108 & KL160**

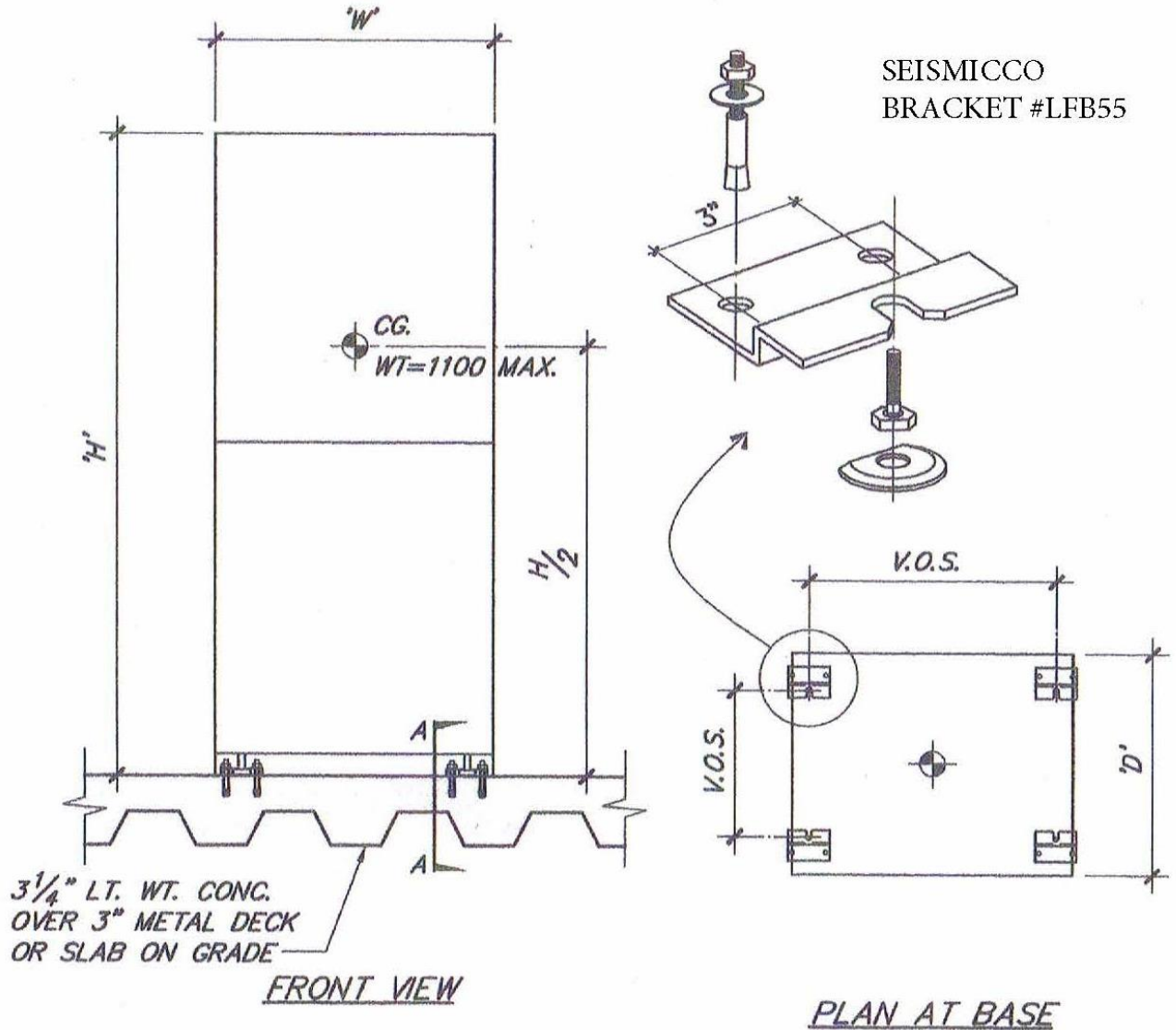
### PARTS INCLUDED:

- 4 - Seismic Co. LFB55 brackets
- 8 - 3/8" x 3-3/4" Hilti KBTZ anchors (ICC-ESR - 1917)



# ANCHORAGE DETAIL

9.0 SEISMIC CO KIT #KBL1001



9.0 SeismicCo®

SEISMIC BRACKETS AND ANCHORING KITS

2340 W. Parkside Lane Ste. H-111

Phoenix, Arizona 85027

Office: (623)8606-0156

Email: info@seismicco.com

Website: www.seismicco.com

Date: 9/20/2017

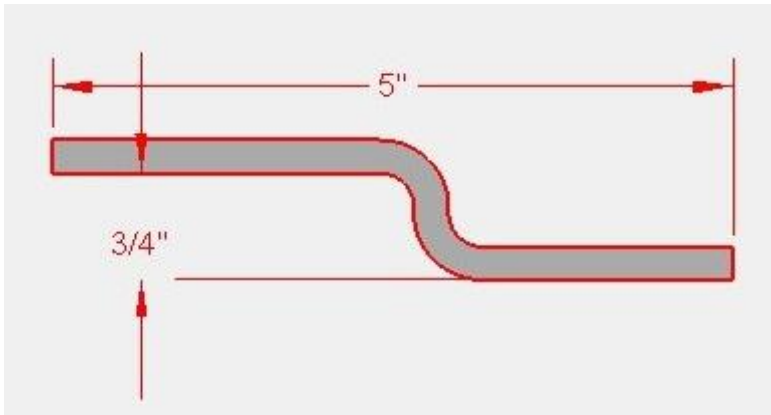
Sheet

2

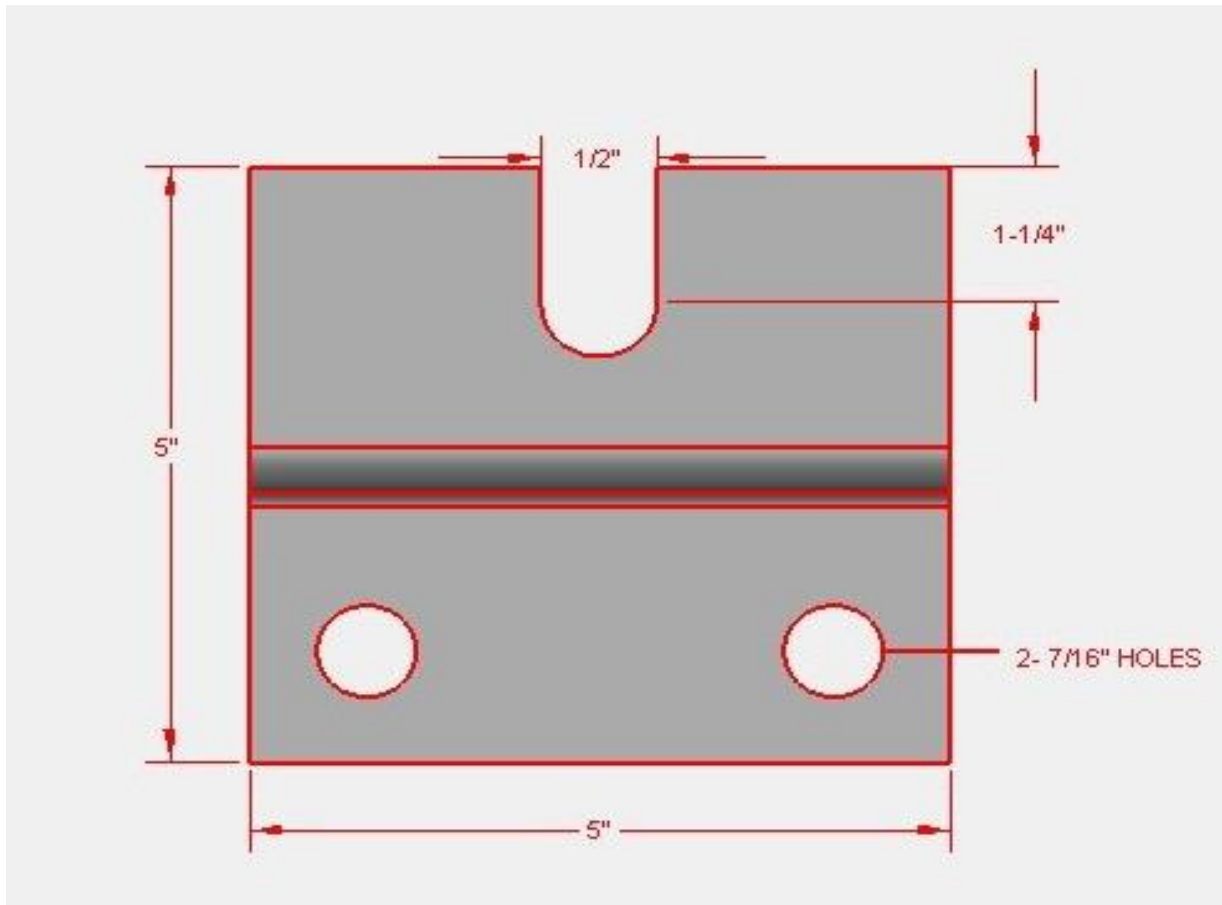
of 3 Sheets

# BRACKET DETAIL

9.0 SEISMIC CO KIT #KBL1001



SEISMICCO  
BRACKET  
#LFBB55



9.0 SeismicCo®

SEISMIC BRACKETS AND ANCHORING KITS

2340 W. Parkside Lane Ste. H-111

Phoenix, Arizona 85027

Office: (623)806-0156

Email: [info@seismicco.com](mailto:info@seismicco.com)

Website: [www.seismicco.com](http://www.seismicco.com)

Date: 9/20/2017

Sheet

3

of 3 Sheets