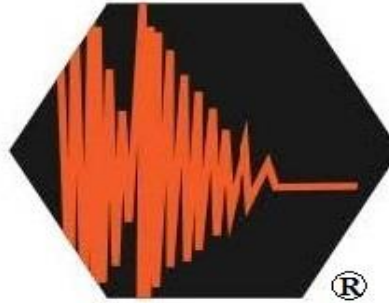




9.0 SeismicCo®

KIT
DRWF 1004

**DOMESTIC REFRIGERATOR/FREEZER
WALL & FLOOR ANCHORING KIT**



9.0 SeismicCo®

SEISMIC BRACKETS AND ANCHORING KITS

2340 W. Parkside Lane Suite H-110
Phoenix, Arizona 85027
623-806-0156
info@seismicco.com
www.seismicco.com
Lic # 21000346-N

KIT #DRWF1004

DESCRIPTION

Domestic Refrigerator Wall & Floor Anchorage Kit



ICC-ESR-4233



Scan for a Copy of the Report



9.0 SeismicCo®

SEISMIC BRACKETS AND ANCHORING KITS

2340 W. Parkside Lane Suite H-110

Phoenix, Arizona 85027

623-806-0156

info@seismicco.com

www.seismicco.com

Lic # 21000346-N

ANCHORAGE KIT KIT #DRWF1004

DESCRIPTION SUMMARY:

Kit is for Domestic Refrigerator/Freezers

SUPPORTED EQUIPMENT:

PARTS INCLUDED:

2- L3" x 3" x 1/4" x 4" Long (9.0 SeismicCo #33144A)

2- L3" x 6" x 1/4" x 4" Long (9.0 SeismicCo #36144A)

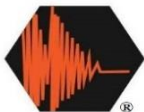
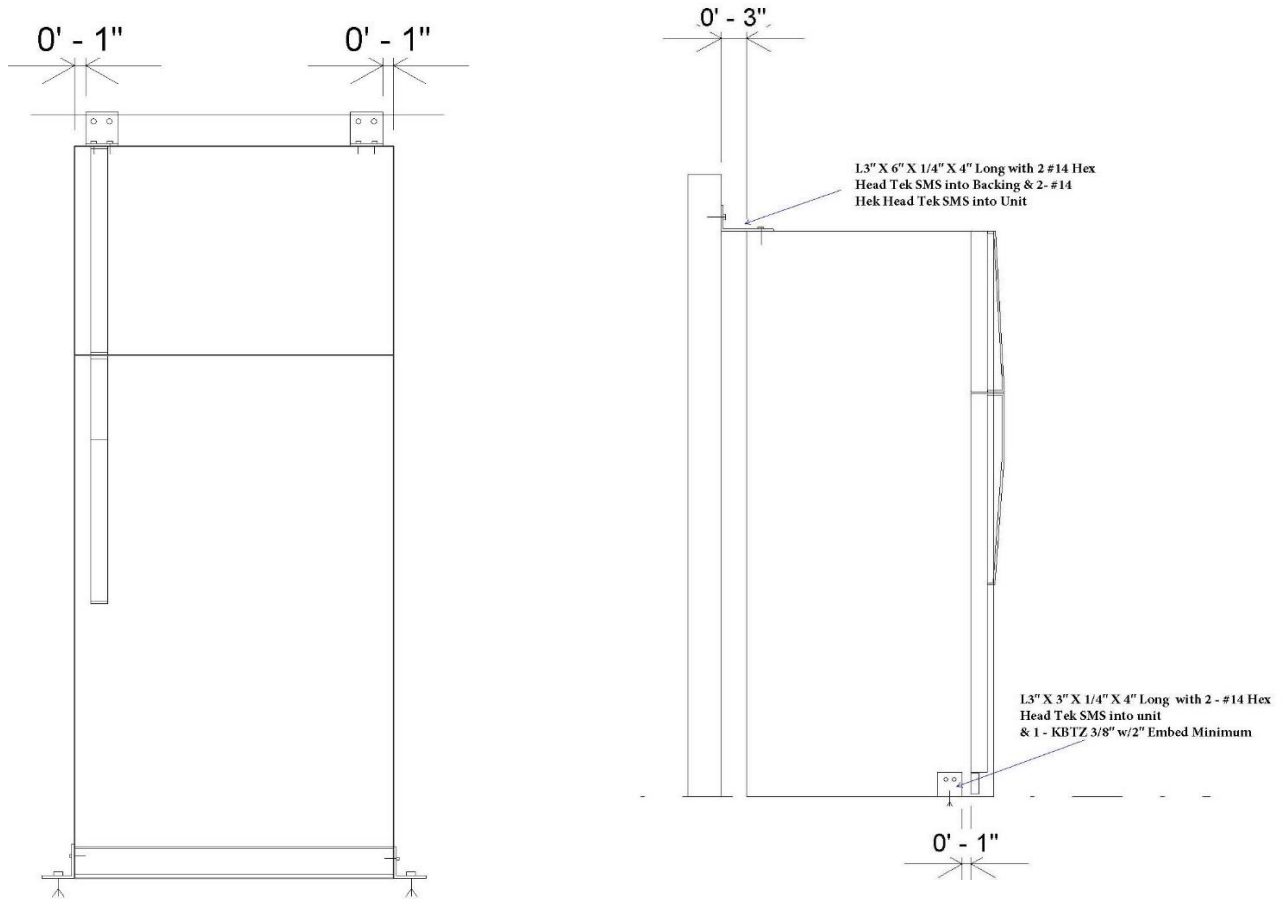
2 - Hilti KBTZ 3/8" x 3-3/4"

4 - #14 Hex Head Tek 2" Long

8 - #14 Hex Head Tek 1" Long

ANCHORAGE DETAIL

9.0 SEISMICCO KIT NUMBER - DRWF1004



9.0 SeismicCo®

SEISMIC BRACKETS AND ANCHORING KITS

2340 W. Parkside Lane Ste. H-111
Phoenix, Arizona 85027
Office: (623)806-0156
Email: info@seismicco.com
Website: www.seismicco.com

Date: 3-20-2020

Sheet

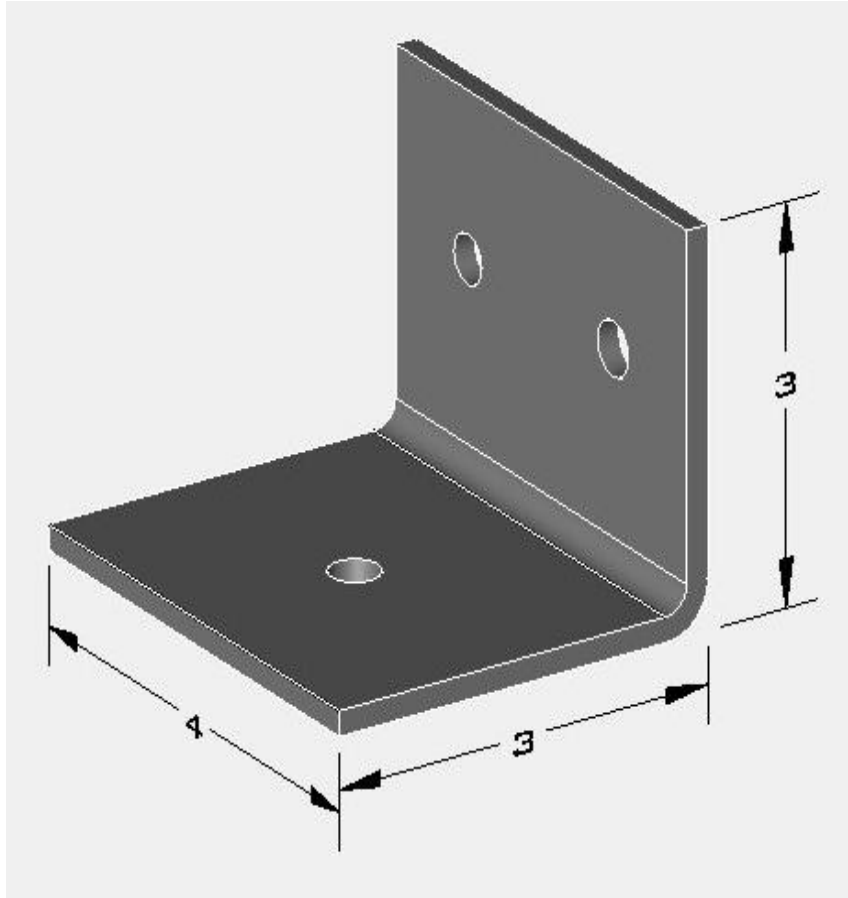
2

of 4 Sheets

BRACKET DESCRIPTION

9.0 SEISMICCO KIT NUMBER - DRWF1004

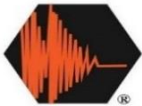
Floor Bracket



L3" X 3" X 1/4" X 4" Long
9.0 SeismicCo Bracket #33144A

1 - 7/16" Hole for 3/8" Hilti KBTZ

3 - 5/16" Hole for 14" Hex Head Tek Screws into Unit



9.0 SeismicCo[®]

SEISMIC BRACKETS AND ANCHORING KITS

2340 W. Parkside Lane Ste. H-111

Phoenix, Arizona 85027

Office: (623)806-0156

Email: info@seismicco.com

Website: www.seismicco.com

Date: 3-20-2020

Sheet

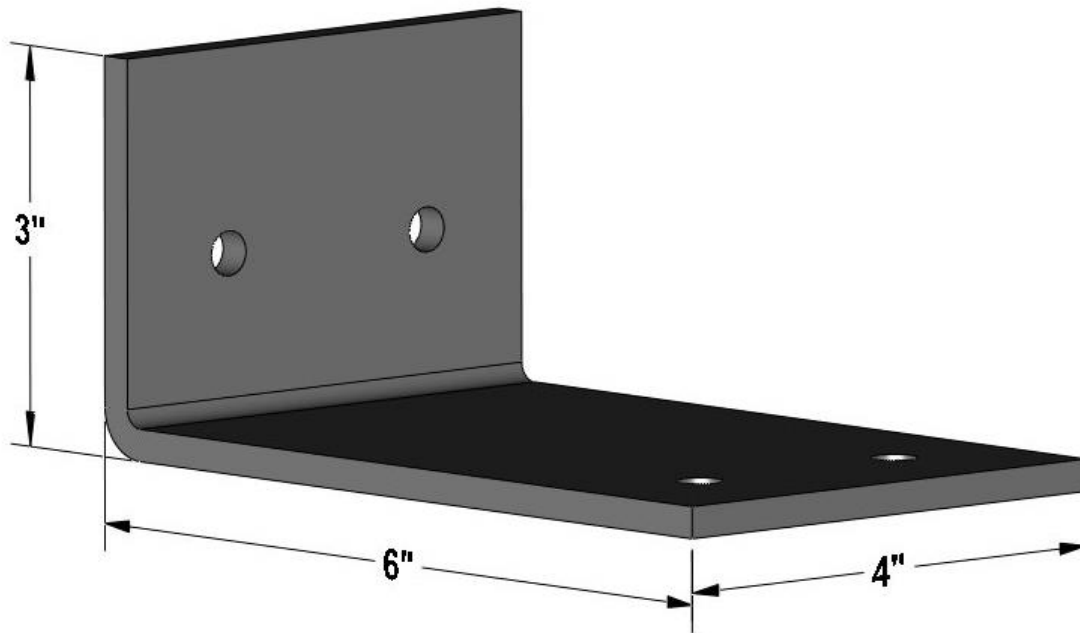
3

of 4 Sheets

BRACKET DESCRIPTION

9.0 SEISMICCO KIT NUMBER - DRWF1004

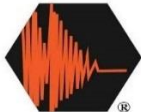
Wall Bracket



L3" X 6" X 1/4" X 4" Long

9.0SeismicCo Brakcet #36142A

2 - 5/16" Holes for #14 Hex Head Tek Screws Each Side



9.0 SeismicCo[®]

SEISMIC BRACKETS AND ANCHORING KITS

2340 W. Parkside Lane Ste. H-111

Phoenix, Arizona 85027

Office: (623)806-0156

Email: info@seismicco.com

Website: www.seismicco.com

Date: 3-20-2020

Sheet

4

of 4 Sheets