

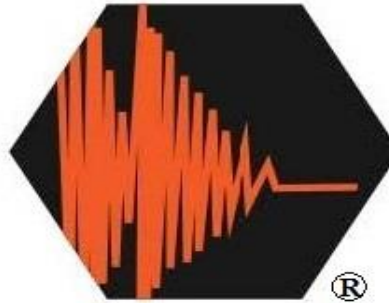


**9.0 SeismicCo®**

---

**KIT**  
**DRF1006**

**DOMESTIC REFRIGERATOR FLOOR KIT**



# 9.0 SeismicCo®

SEISMIC BRACKETS AND ANCHORING KITS

---

2340 W. Parkside Lane Suite H-111  
Phoenix, Arizona 85027  
623-806-0156  
info@seismicco.com  
www.seismicco.com  
Lic # 21000346-N

---

**KIT #DRF1006**

**DESCRIPTION**

**Domestic Refrigerator Floor Anchorage Kit**



**ICC-ESR-4233**



Scan For a Copy of the Report



# 9.0 SeismicCo®

SEISMIC BRACKETS AND ANCHORING KITS

2340 W. Parkside Lane Suite H-111  
Phoenix, Arizona 85027  
623-806-0156  
info@seismicco.com  
www.seismicco.com  
Lic # 21000346-N

---

## ANCHORAGE KIT KIT #DRF1006

DESCRIPTION SUMMARY:

**Kit is for Domestic Refrigerator/Freezer units**

SUPPORTED EQUIPMENT:

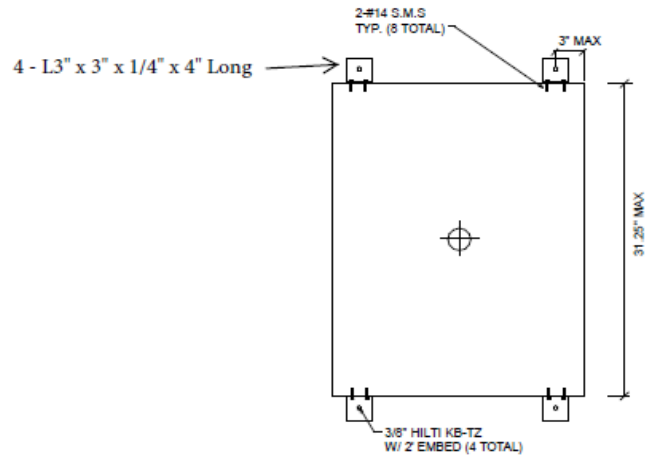
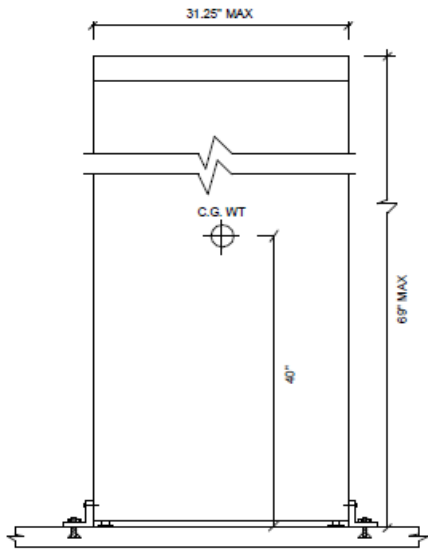
All Domestic Refrigerators/Freezers

PARTS INCLUDED:

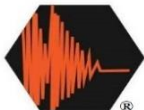
**4- L 3" x 3" x 1/4" x 4" Long (9.0 SeismicCo #33144A)**  
**4- Hilti KBTZ 3/8" x 3-3/4"**  
**8 - #14 Hex Head Tek 2" Long**

# ANCHORAGE DETAIL

9.0 SEISMICCO KIT NUMBER - DRF1006



DOMESTIC REFRIGERATOR  
ANCHORAGE DETAIL



**9.0 SeismicCo**<sup>®</sup>

SEISMIC BRACKETS AND ANCHORING KITS

2340 W. Parkside Lane Ste. H-111  
Phoenix, Arizona 85027  
Office: (623)806-0156  
Email: [info@seismicco.com](mailto:info@seismicco.com)  
Website: [www.seismicco.com](http://www.seismicco.com)

Date: 10/17/2017

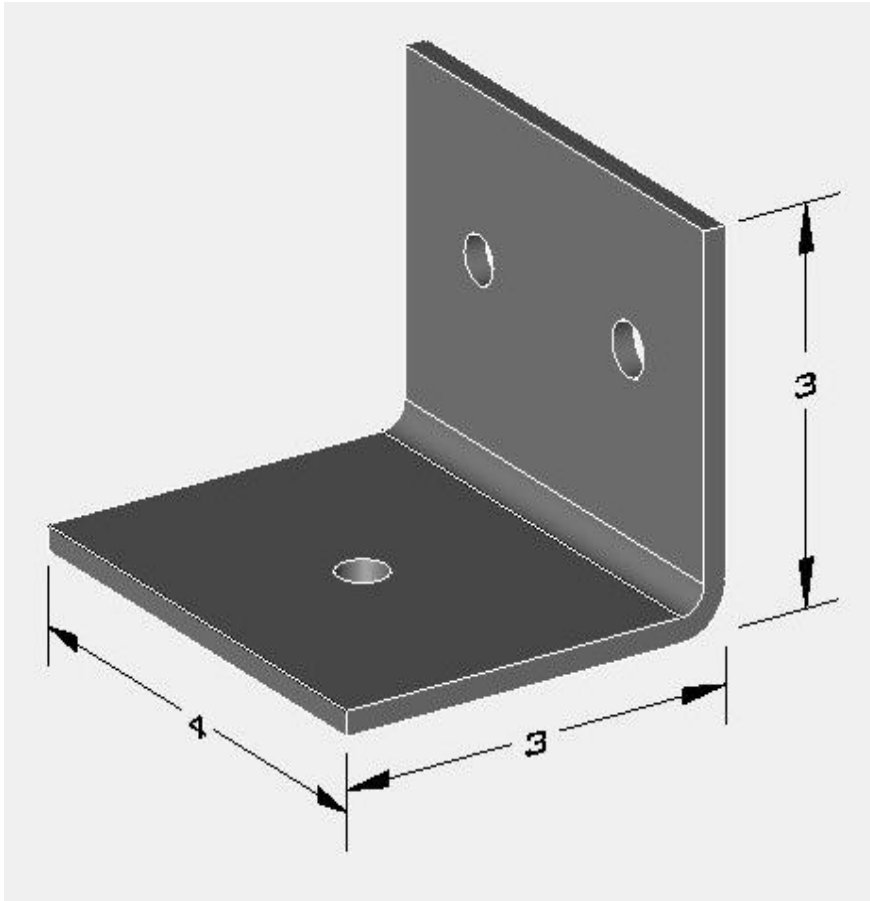
Sheet

2

of 3 Sheets

# BRACKET DESCRIPTION

9.0 SEISMICCO KIT NUMBER - DRF1006



**L3" x 3" x 1/4" x 4" Bent Plate White**  
**9.0 SeismicCo Bracket #33144A**

**1- 7/16" Hole Predrill for the Hilti Anchor**

**2 - 5/16" Holes for #14 Tek Screws**



**9.0 SeismicCo®**

SEISMIC BRACKETS AND ANCHORING KITS

2340 W. Parkside Lane Ste. H-111  
Phoenix, Arizona 85027  
Office: (623)806-0156  
Email: [info@seismicco.com](mailto:info@seismicco.com)  
Website: [www.seismicco.com](http://www.seismicco.com)

Date: 10/17/2017

Sheet

**3**

of 3 Sheets